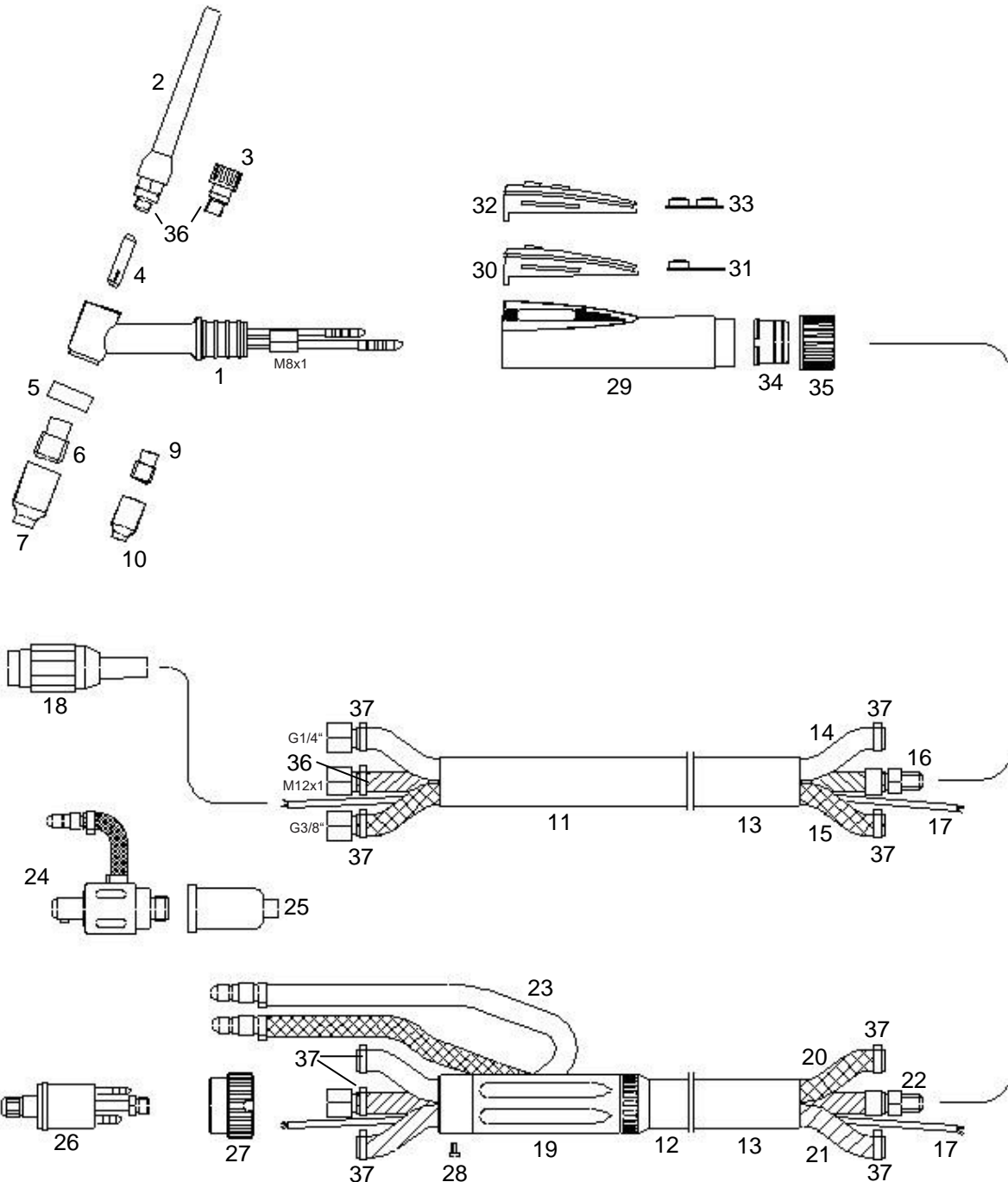




Manual Welding Torch TW 5, water cooled

Technical data according to EN 60 974-7

Rating: 400A DC
320A AC
Duty cycle: @60%
Tungsten electrodes: Ø1,0 – 4,8mm





Part Number for complete Welding Torch

Part No.	4m	8m
Single Connection and Tuchel Plug 5-pole	10540912	10580912

Spare Part List

Pos.	Part No.	Description	Pos.	Part No.	Description
1	1461001	Torch Body TW5	16	1054140	Power / Water-Cable 4m (Single Connection)
2	1050400	Back Cap, long		1054180	Power / Water-Cable 8m (Single Connection)
3	11050202	Back Cap, short	17	0275400	Control Cable 4m
4	10504xx	Collet		0275800	Control Cable 8m
		<i>Collets available in \varnothing 1.0/1.6/2.4/3.2/4.0/4.8 mm Please insert wire diameter at xx. Example: \varnothing 1.0 mm is: 10; Part-No.: = 1050410</i>	18	T3008002	Tuchel Plug 3-pole
5	1070330	Insulator for Gas Lens		T3012002	Tuchel Plug 5-pole
6	1072350	Gas Lens (all diameters)	19	2411600	Gun Plug Housing, 3-pieces
7	1210704	Ceramic Gas Nozzle #4	20	1184540	Water Inlet Hose 4 m (WTW/WZ0)
	1210705	Ceramic Gas Nozzle #5		1184580	Water Inlet Hose 8 m (WTW/WZ0)
	1210706	Ceramic Gas Nozzle #6	21	1184740	Gas Hose 4 m (WTW/WZ0)
	1210707	Ceramic Gas Nozzle #7		1184780	Gas Hose 8 m (WTW/WZ0)
	1210708	Ceramic Gas Nozzle #8	22	1054310	Power / Water-Cable 4m (WTW-WZ0)
9	1072340	Small Gas Lens (all diameters)		1054380	Power / Water-Cable 8m (WTW-WZ0)
10	1201404	Ceramic Gas Nozzle #4 for small Gas Lens	23	2414705	Water Outlet Hose 0,55m cpl.
	1202405	Ceramic Gas Nozzle #5 for small Gas Lens	24	3595114	Plug SK 50, cpl. with Hose Nipple
	1202406	Ceramic Gas Nozzle #6 for small Gas Lens	25	0331022	Insulation Sleeve
	1202407	Ceramic Gas Nozzle #7 for small Gas Lens	26	3000306	Gun Plug Body WZ0
	1202408	Ceramic Gas Nozzle #8 for small Gas Lens	27	2151700	Plug Nut
11	1054840	Cable Assembly 4m (Single Connection)	28	0040601	Screw
	1054880	Cable Assembly 8m (Single Connection)	29	1172611	Handle Tube
12	1054940	Cable Assembly 4m (WTW-WZ0)	30	1172621	Trigger Insert Single Switch
	1054980	Cable Assembly 8m (WTW-WZ0)	31	1172604	Single Switch PCB
13	5202540	Cover Hose 4m	21	1172622	Trigger Insert Double Switch
	5202580	Cover Hose 8m	33	1172305	Double Switch PCB
14	1184640	Gas Hose 4m (Single Connection)	34	1172613	Cable Support
	1184680	Gas Hose 8m (Single Connection)	35	1172612	Nut for Handle Tube
15	1184440	Water Inlet Hose 4m (Single Connection)	36	0092500	Nut for Handle Tube
	1184480	Water Inlet Hose 8m (Single Connection)	37	0321100	Single Ear Clamp 10,0