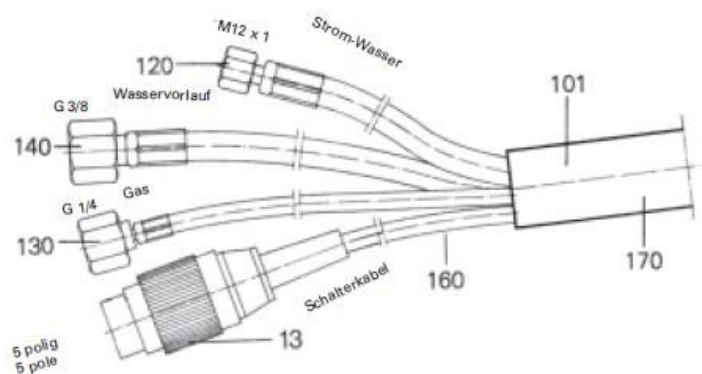
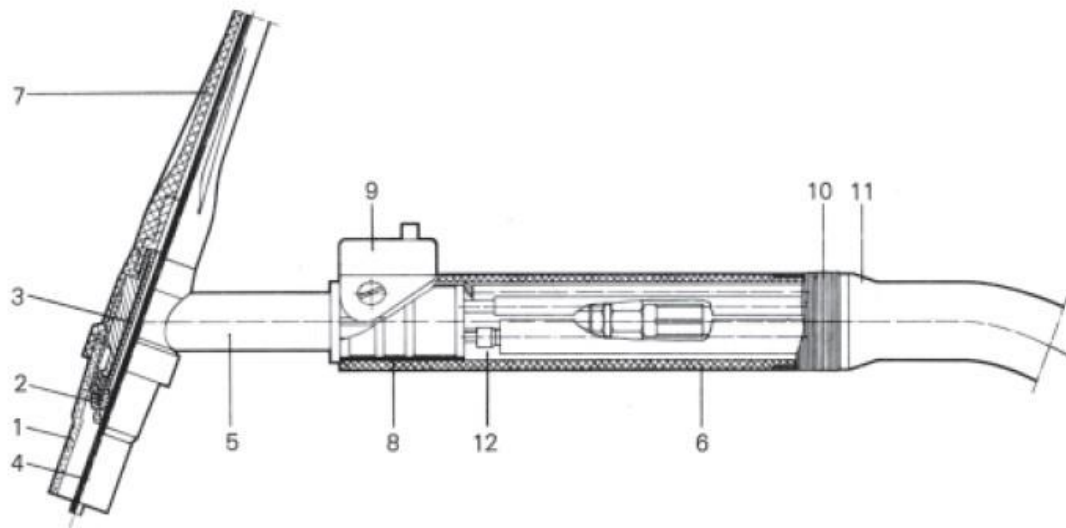




## Manual Welding Torch TW 14-1, water cooled

Technical Data	TW 14-1
Rating:	500A DC 400A AC
Duty cycle:	@60%
Tungsten electrodes:	Ø1,6 – 6,4mm





### Part Number for complete Welding Torch

Part No.	4m	8m
Double Switch, Single Connection, Tuchel Plug 5-pole	75204420	75204419

### Spare Part List

Pos.	Part No.	Description	Pos.	Part No.	Description
1	75201602	Ceramic Gas Nozzle #5 (Ø8,0mm TEC 141-00)	5	75204394	Torch Body
	75201608	Ceramic Gas Nozzle #6 (Ø9,5mm TEC 142-00)	6	75201933	Handle
	75201603	Ceramic Gas Nozzle #7 (Ø11,2mm TEC 143-00)	7	75204393	Back Cap
	75201604	Ceramic Gas Nozzle #8 (Ø12,7mm TEC 144-00)	8	75201932	Connection
	75201605	Ceramic Gas Nozzle #9 (Ø14,3mm TEC 145-00)	9	70910251	Double Switch
	75204774	Ceramic Gas Nozzle #8	10	19004720	String (1 coil)
2	75204603	Collet Body 1,6mm	11	75101438	Insulating Hose
	75204604	Collet Body 2,4mm	12	45987398	Scotch (1 roll)
	75204560	Collet Body 3,2mm	13	19002270	Connection Plug 5-pole
	75204409	Collet Body 4,0mm	101	75201939	Cable Assembly 4m
	75204410	Collet Body 4,8mm		75201938	Cable Assembly 8m
	75204411	Collet Body 6,4mm	120	75201943	Water cooled Power Line 4m
3	75204606	Collet 1,6mm		75201105	Water cooled Power Line 8m
	75204605	Collet 2,4mm	130	75201937	Gas Hose 4m
	75204561	Collet 3,2mm		75201936	Gas Hose 8m
	75204404	Collet 4,0mm	140	75201934	Water Inlet Hose 4m
	75204405	Collet 4,8mm		75201935	Water Inlet Hose 8m
	75204406	Collet 6,4mm	170	75101438	Cover Hose 28x1,5 (per meter)
4	0458000	Electrode WC 20 1,6mm		40291009	Hose Nipple G 3/8
	0458001	Electrode WC 20 2,4mm		45101419	Hose Nipple G ¼
	0458002	Electrode WC 20 3,2mm		75201835	Power-Water-Grommet M12x1
	0458003	Electrode WC 20 4,0mm		75105105	Silicon 5g
	0458004	Electrode WC 20 4,8mm			
	0458005	Electrode WC 20 6,4mm			