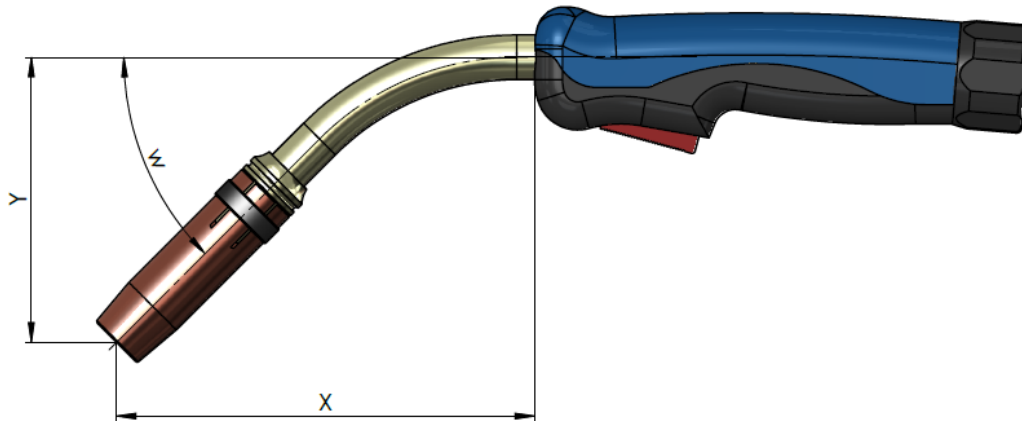




Special torch necks MIG/MAG

SB-Line with Ergo-handle



| Torch type | Standard X-dimension* [mm] | Standard Y-dimension [mm] | Standard angle w [°] |
|------------|-------------------------------|------------------------------|----------------------|
| SB240W | 105 | 75 | 45 |
| SB500W | 150 | 105 | 45 |
| SB505W* | 145 | 100 | 45 |
| SB360G | 145 | 120 | 45 |

For your inquiry or order, please specify the following values:

X-dimension in mm: _____

Y-dimension in mm: _____

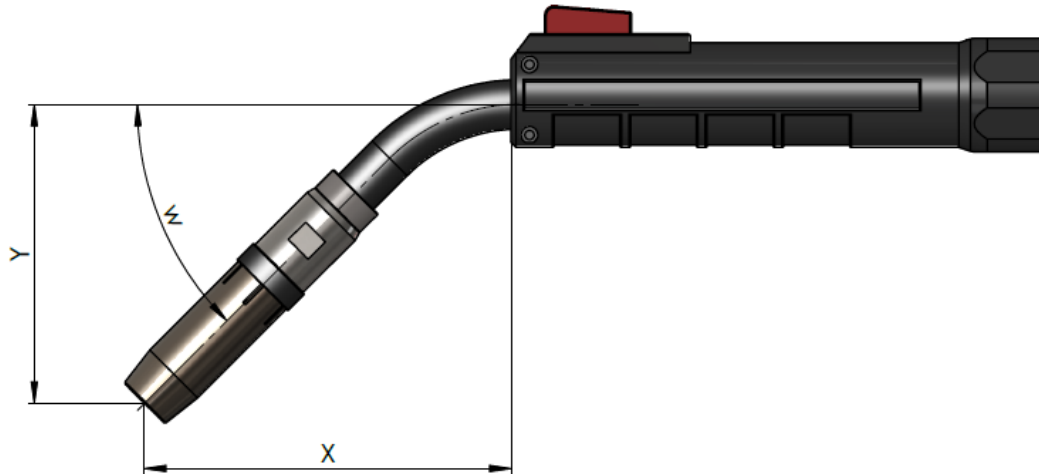
Angle in °: _____

**The standard X-dimension cannot be shortened.*

Special torch necks are available in 5 mm and 5° increments. These special torch necks are excluded from exchange/return.



FKS-Line with FKS-handle



| Torch type | Standard X-dimension [mm] | Standard Y-dimension [mm] | Standard angle w [°] |
|------------|---------------------------|---------------------------|----------------------|
| FKS400W | 120 | 95 | 45 |

For your inquiry or order, please specify the following values:

X-dimension in mm: _____

Y-dimension in mm: _____

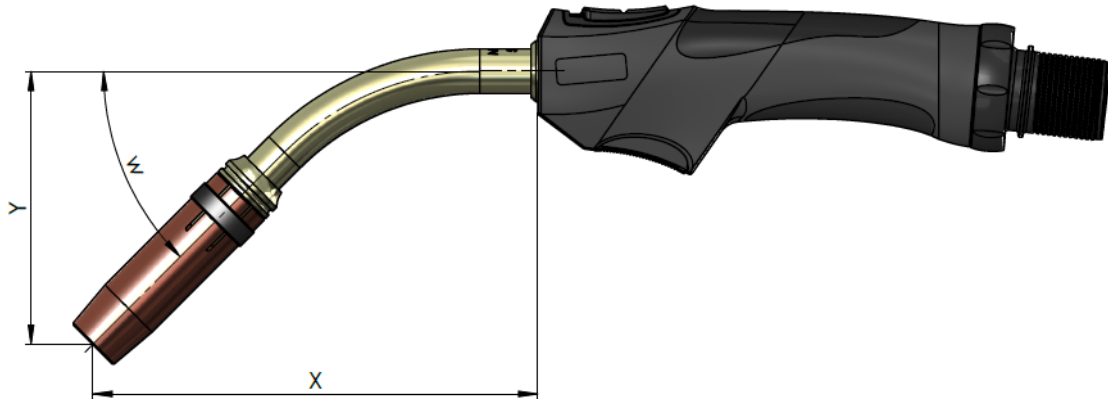
Angle in °: _____

**The standard X-dimension cannot be shortened.*

Special torch necks are available in 5 mm and 5° increments. These special torch necks are excluded from exchange/return.



M-AR-Line with AR-K2-handle



| Torch type | Standard X-dimension [mm] | Standard Y-dimension [mm] | Standard angle w [°] |
|------------|---------------------------|---------------------------|----------------------|
| M-AR 240 W | 130 | 80 | 45 |
| M-AR 500 W | 160 | 100 | 45 |
| M-AR 505 W | 150 | 100 | 45 |

For your inquiry or order, please specify the following values:

X-dimension in mm: _____

Y-dimension in mm: _____

Angle in °: _____

**The standard X-dimension cannot be shortened.*

Special torch necks are available in 5 mm and 5° increments. These special torch necks are excluded from exchange/return.