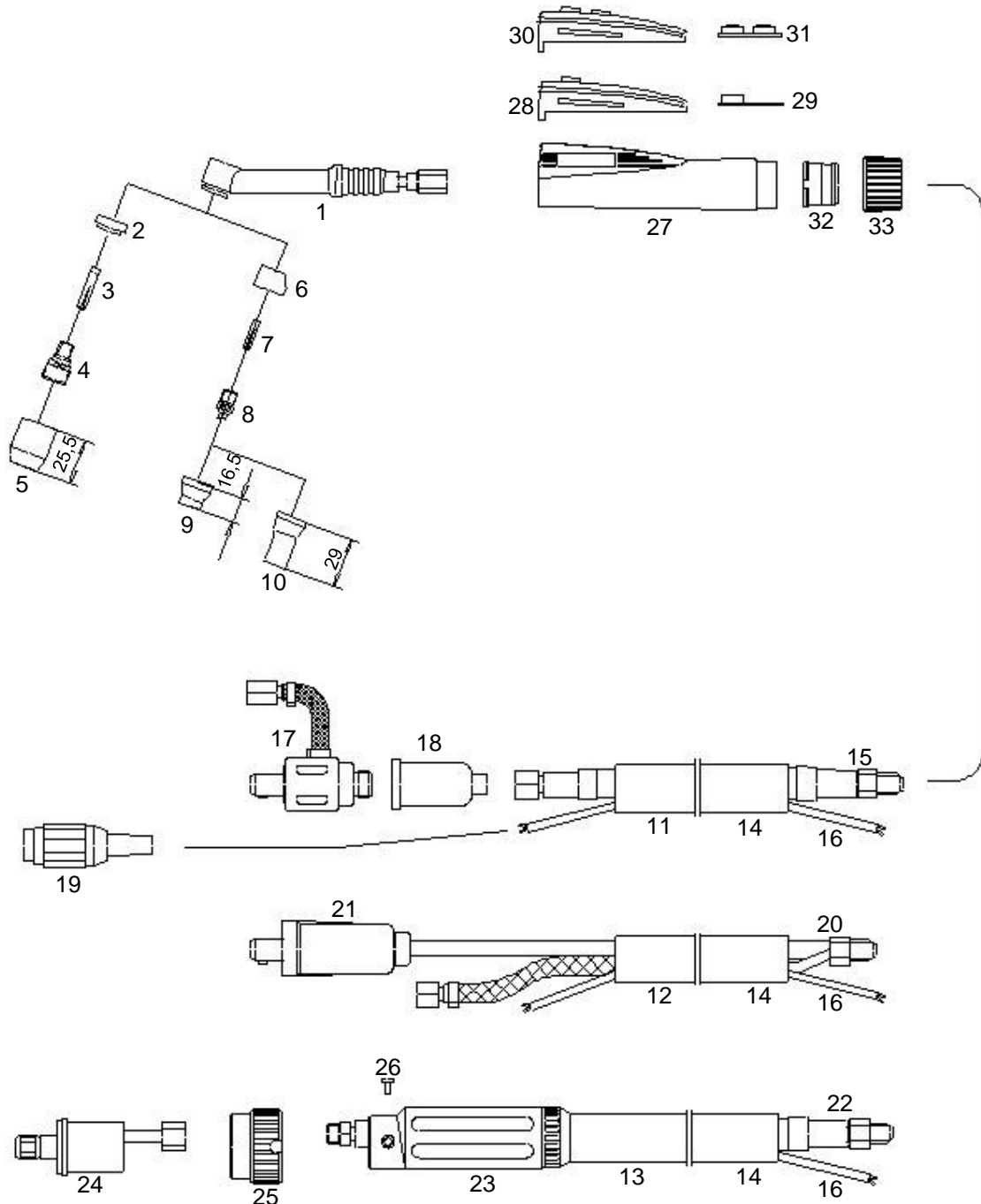




Manual Welding Torch SR 24G, air cooled

Technical data according to EN 60 974-7

Rating: 110A DC
95A AC
Duty Cycle: @35%
Tungsten electrodes: Ø0,5 – 1,6mm





Part Number for complete Welding Torch

| Art. Nr. | 4m | 8m |
|--|-----------|-----------|
| Single Connection and Tuchel-Plug 3-pole | 12440910 | 12480910 |
| Gun Plug Body GZ0 and Tuchel-Plug 3-pole | 124403910 | 124803910 |

Spare Part List

| Pos. | Part No. | Description | Pos. | Part No. | Description |
|------|----------|---|------|-----------|---|
| 1 | 1240104 | Torch Body SR 24G | 9 | 1240704 | Ceramic Nozzle Size 4 |
| 2 | 1242200 | Insulator for Gas Lens | | 1240705 | Ceramic Nozzle Size 5 |
| 3 | 12415xx | Collet for Gas Lens | | 1240706 | Ceramic Nozzle Size 6 |
| | | <i>Collets available in \varnothing 0.5/1.0/1.6/2.4 mm Please insert diameter Gas Lens at xx. Example: \varnothing 1.0 mm is 10; Part-No. = 1241510</i> | 10 | 12407041 | Ceramic Nozzle Size 4, 29mm long |
| 4 | 1202305 | Collet Body with Gas Lens 0,5 mm | | 120240761 | Ceramic Nozzle Size 6, 29mm long |
| | 1202310 | Collet Body with Gas Lens 1,0 mm | 11 | 1244001 | Cable Assembly 4 m (Single connection) |
| | 1202316 | Collet Body with Gas Lens 1,6 mm | | 1248001 | Cable Assembly 8 m (Single connection) |
| | 1202324 | Collet Body with Gas Lens 2,4 mm | 12 | 1244002 | Cable Assembly 4 m, Gas separate |
| 5 | 1202404 | Ceramic Nozzle Size 4 | | 1248002 | Cable Assembly 8 m, Gas separate |
| | 1202405 | Ceramic Nozzle Size 5 | 13 | 1244003 | Cable Assembly 4 m (GZ0) |
| | 1202406 | Ceramic Nozzle Size 6 | | 1248003 | Cable Assembly 8 m (GZ0) |
| | 1202407 | Ceramic Nozzle Size 7 | 14 | 5202540 | Cover Hose 4 m |
| | 1202408 | Ceramic Nozzle Size 8 | | 5202580 | Cover Hose 8 m |
| 6 | 1241100 | Insulator | 15 | 1244141 | Power / Gas-Cable 4 m (Single connection) |
| 7 | 12405xx | Collet | | 1244181 | Power / Gas-Cable 8 m (Single connection) |
| | | <i>Collets available in \varnothing 0.5/1.0/1.6/2.4 mm Please insert diameter Gas Lens at xx Example: \varnothing 1.0 mm is 10; Part.-No. = 1240510</i> | 16 | 0275400 | Power Cable 4 m |
| 8 | 1240605 | Collet Body 0,5 mm | | 0275800 | Power Cable 8 m |
| | 1240610 | Collet Body 1,0 mm | 17 | 3595112 | Plug SK 50, cpl. G ¼" |
| | 1240616 | Collet Body 1,6 mm | 18 | 0331022 | Insulation Sleeve |
| | 1240624 | Collet Body 2,4 mm | 19 | T3008002 | Tuchel Plug 3-pole |
| | | | | T3012002 | Tuchel Plug 5-pole |
| | | | 20 | 1094143 | Power / Gas-Cable 4 m (WTG) |
| | | | | 1098143 | Power / Gas-Cable 8 m (WTG) |
| | | | 21 | 3001206 | Plug SKM 25 |



| Pos. | Part No. | Description | Pos. | Part No. | Description |
|------|----------|------------------------------|------|----------|-------------|
| 22 | 1244143 | Power / Gas-Cable 4 m (GZO) | | | |
| | 1244183 | Power / Gas-Cable 8 m (GZO) | | | |
| 23 | 2251601 | Gun Plug Housing | | | |
| 24 | 2151503 | Gun Plug Body GZ0 | | | |
| 25 | 2151700 | Nut | | | |
| 26 | 0040601 | Screw | | | |
| 27 | 1172601 | Handle Tube | | | |
| 28 | 1172621 | Trigger Insert Single Switch | | | |
| 29 | 1172604 | Single Switch PCB | | | |
| 30 | 1172622 | Trigger Insert Double Switch | | | |
| 31 | 1172305 | Double Switch PCB | | | |
| 32 | 1172603 | Cable Support | | | |
| 33 | 1172612 | Nut for Handle Tube | | | |