



Robotik welding torch

2023



Robotic welding torch



Integrated gas nozzle sensor for tactile seam search using the gas nozzle

Minimalistic hose package

Neckliner

Wire Break-Ready

Compatibility with different Robot manufacturers

Robot Mount ARB2

High precision



M-AR 5.2W-R, water cooled



Technical data:

Rating:	450 A
Duty cycle:	100 %
Wire-Ø:	0,8 - 1,6 mm
Torch necks:	22,5° / 45° / 0°
Torch length:	3,5 m*
Connection machine side:	Euro-Connection*

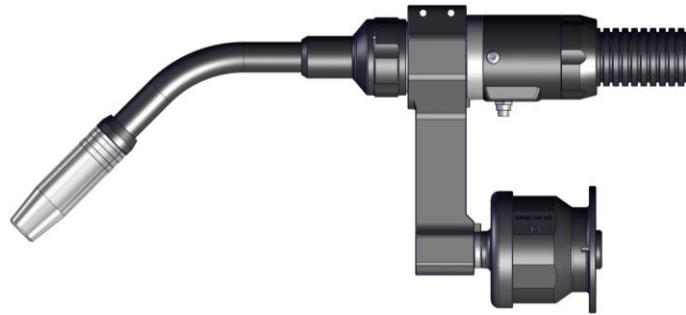
M-AR 5.2W-R-PP, water cooled



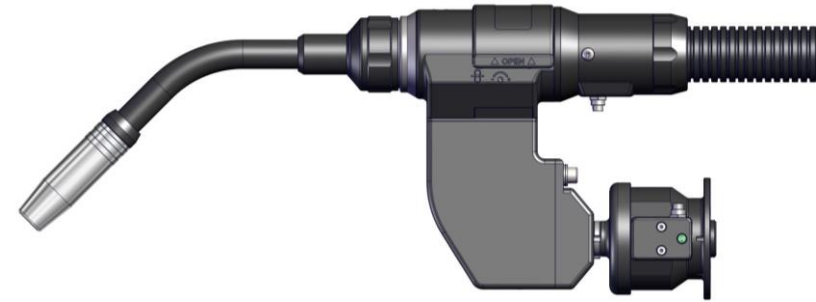
Technical data:

Rating:	400 A
Duty cycle:	100 %
Wire-Ø:	0,8 – 1,6 mm
Torch necks:	22,5° / 45° / 0°
Feeding speed:	0,5 – 25 m/min
Torch length:	4,5 m*
Connection machine side:	Euro-Connection*

Holder for Robot-torch lead 45°



Holder for Robot-PP-torch lead 45°



Holder for Robot-torch lead 22,5°

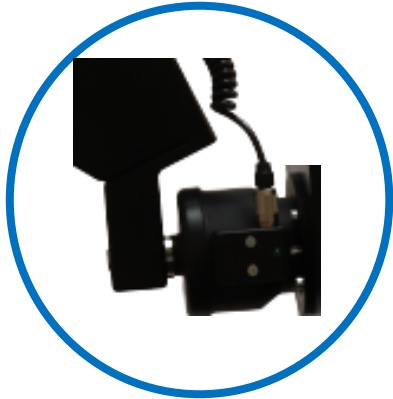


Holder for Robot-PP-torch lead 22,5°

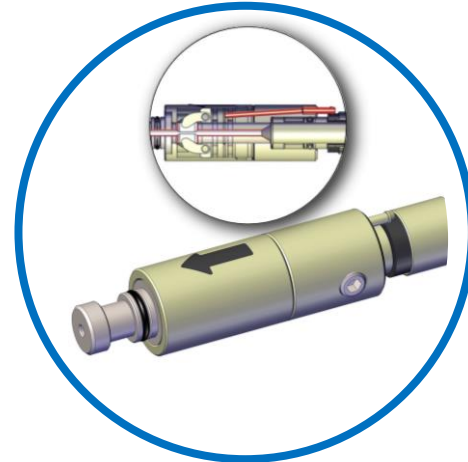




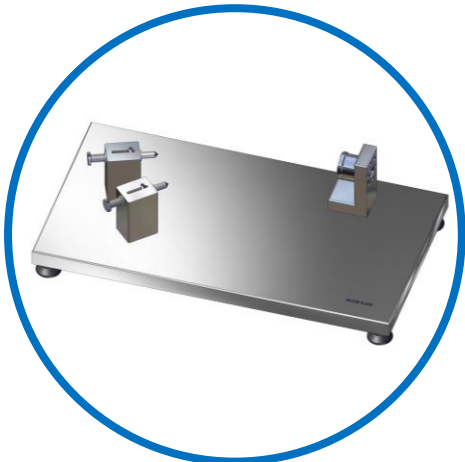
Accessories



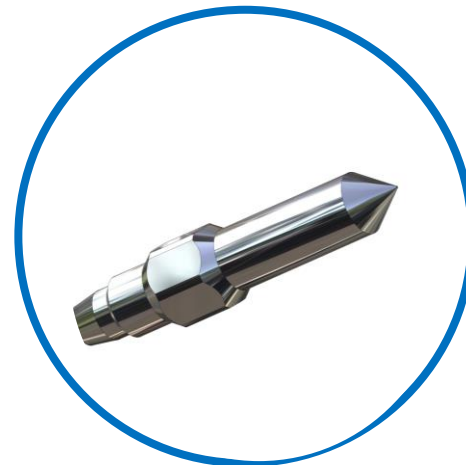
Robot mount ARB2



Wire Break



Testing gauge



Teachtip



Robotic welding torch



Series launch in Q1 2024