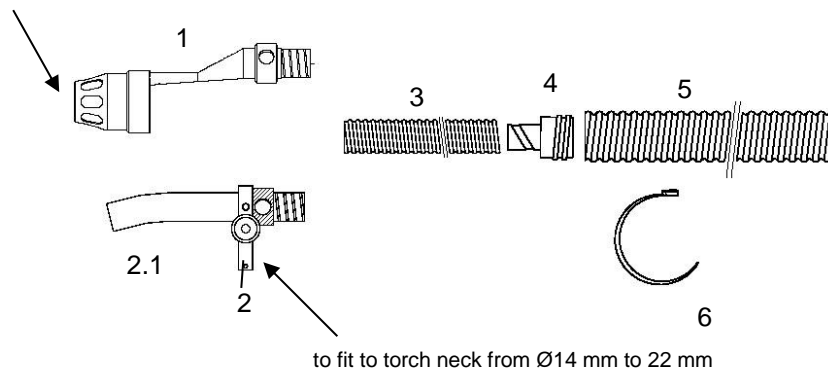




## Conversion Kit Fume-Extraction-Torch Version A+B

to fit to Ø24 mm nozzle (for example SB 360G / SB 400 W / SB 500W)



to fit to torch neck from Ø14 mm to 22 mm

### Bestellnummern

Art. Nr.

Conversion Kit for fume-extraction  
torch, version A, cpl.

10103025

Conversion Kit for fume-extraction  
torch, version B, cpl.

10103015



## Ersatzteile

Pos.	Art.Nr.	Bezeichnung	Pos.	Art.Nr.	Bezeichnung
1	10103020	Fume Extraction Nozzle RGA-extern			
2	10103010	Mounting RGA-extern			
2.1	10103011	Fume Neck ChamberRGA-extern			
3	10103013	Hose 0,8 m			
4	10103012	Hose Fitting			
5	0550517	Flexible Cover Hose Ø 25 mm, per meter			
6	43750319	Fastener, reusable			