



## Fume-Extraction-Torch RGA 240G, air cooled

Technical data according to EN 60 974-7

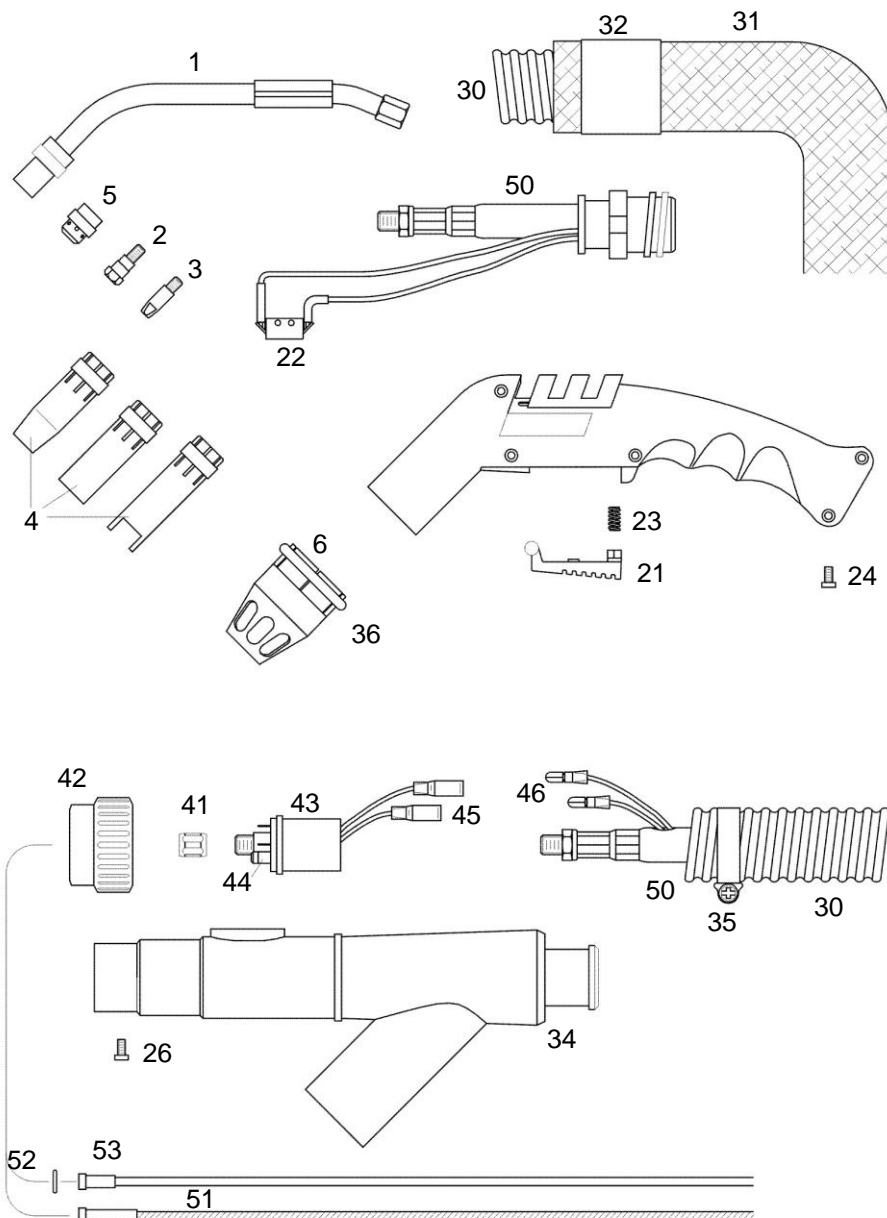
Rating:

CO<sub>2</sub>: 250A

Mixed gas M21: 220A

Duty Cycle: @35%

Wire-Ø: 0.8 – 1.2mm





### Part Number for complete Welding Torch

Part No.	3m	4m	5m
Euro-connection	7030003	7030004	7030005

### Spare Part List

Pos.	Part No.	Description	Pos.	Part No.	Description
1	7030100	Swan Neck	36	2920801	Clamping Ring
2	2150400	Tip Adapter M 6	40	6961200	Front Swivel Connector
3	22506xx	Contact Tip M 6 x 28, ø in mm / ECu	41	2151501	Liner Positioner Nut
	22576xx	Contact Tip M 6 x 28, ø in mm / CuCrZr	42	2151700	Nut
	22566xx	Contact Tip M 6 x 28, ø in mm / for Alu	43	2151505	Gun Plug Body with Spring Loaded Pins
	<i>Contact Tips available in ø 0.8 / 0.9 / 1.0 / 1.2 mm Please insert wire diameter at xx. Example: ø 1.2 mm is: 12; Part No = 2250612</i>		44	0041000	O - Ring
4	2240801	Gas Nozzle, cylindrical	45	2155100	Female Electrical Connector, insulated
	2240802	Gas Nozzle, conical	46	2155200	Male Electrical Connector, insulated
	2240803	Gas Nozzle, tapered	47	2921600	Rear Extraction Chamber
	2240805	Spot Welding Gas Nozzle	50	3003530	Coaxial Cable 35 mm <sup>2</sup> , 3 m
5	2240702	Gas Diffusor, white		3003540	Coaxial Cable 35 mm <sup>2</sup> , 4 m
	2240700	Gas Diffusor, black		3003550	Coaxial Cable 35 mm <sup>2</sup> , 5 m
6	7030800	Fume Extraction Nozzle	51	34415xx	Steel Liner 1,5 x 4,0 mm
20	6961000	Handle cpl.		34115xx	PTFE- Liner 1,5 x 4,0 mm
	6961001	Handle, left & right half		34420xx	Steel Liner 2,0 x 4,0 mm
21	6961002	Trigger		34120xx	PTFE- Liner 2,0 x 4,0 mm
22	6161105	Micro Switch		<i>Steel Liner and PTFE- Liner available in 3/4/5m Please insert length at xx. Example: length 3m =Part No. 3441530</i>	
23	6161106	Trigger Spring	52	0031500	O-Ring
24	0040801	Screw	53	2155645	Collet for coated Liner 4,0
25	6961003	Vent Control		2155740	Collet for PTFE-Liner 4,0
26	0040601	Screw			
30	2924530	Flexible Cover Hose 3 m			
	2924540	Flexible Cover Hose 4 m			
	2924550	Flexible Cover Hose 5 m			
31	2921115	Leather Hose 1.5 m			
32	2921206	Heat Shrink Hose			
34	2921700	Rear Swivel Connector			
35	2911900	Hose Clamp			