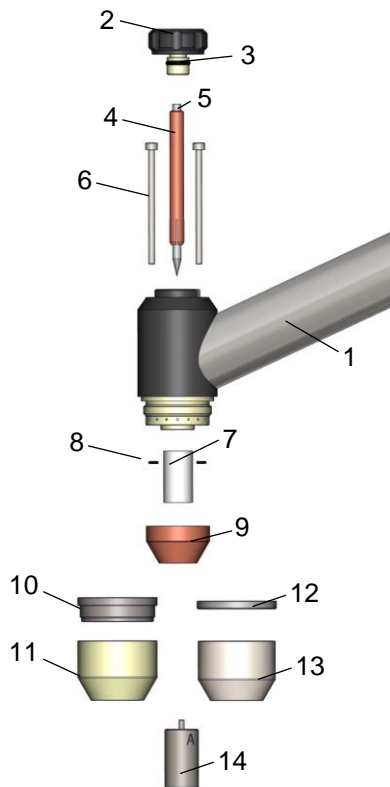




Plasma-Powder-Torch PTR301-H

Technical data according to EN 60 974-7

Rating:	280A DC
Duty cycle:	@100%
Tungsten electrodes:	Ø3,2 - 4,0mm
Pilot current	5 - 15A
Filler metal:	metal powder, carbid powder
Powder flow rate:	max. 80g/min
Cooling method:	2-circuit water cooling
Powder method	2-Powder feeder



15 (handle with 1- or 3-switches)



16 (handle with 4-switches)

Part Number for complete Welding Torch

Part No.	4m
Plasma-Powder-Torch PTR 301-H/4m	61040000XX



Spare Part List

Pos.	Part No.	Description	Pos.	Part No.	Description
1	61040000	Torch body PTR301-H	10	610400051	Insulator ring for brass nozzle
2	61020003	Torch cap	11	61040012	Brass-nozzle PTR301
3	41328002	O-ring	12	61040005	Insulator ring for ceramic nozzle
4	61040004	Collet 4,0mm	13	61040011	Ceramic nozzle PTR301
	610400041	Collet 3,2mm	14	1007293	Gauge
5	61030018	Tungsten electrode Ø4,0mm	15	61040013	Handle bent, 3-switches
	610300181	Tungsten electrode Ø3,2 mm	16	61040014	Handle straight, 4-switches
6	61040003	Screw for Anode	ohne Abb.	75105105	Silicon
7	1007204	Ceramic sleeve	ohne Abb.	9940000168	Starter-kit for PTR301 consists of: 1x 41328002 O-ring 1x 61040004 Collet 1x 61030018 Tungsten electrode 1x 1007204 Keramik Isolierhülse 4x 61040007 O-ring 1x 610400012 Plasma-nozzle 1x 61040011 Ceramic nozzle 1x 1007293 Gauge 1x 75105105 Silicon
8	61040007	O-ring			
9	610400010	Plasma-nozzle Ø2,9mm with 4 powder holes Ø2,0mm (90°)			
	610400013	Plasma-nozzle Ø2,3mm with 4 powder holes Ø1,2mm (90°)			
	610400012	Plasma-nozzle Ø3,2mm with 4 powder holes Ø1,2mm (90°)			
	610400014	Plasma-nozzle Ø3,6mm with 4 powder holes Ø1,2mm (90°)			
		For any other dimensions, please contact us.			



Plasma-nozzle with 4x powder holes (90°)