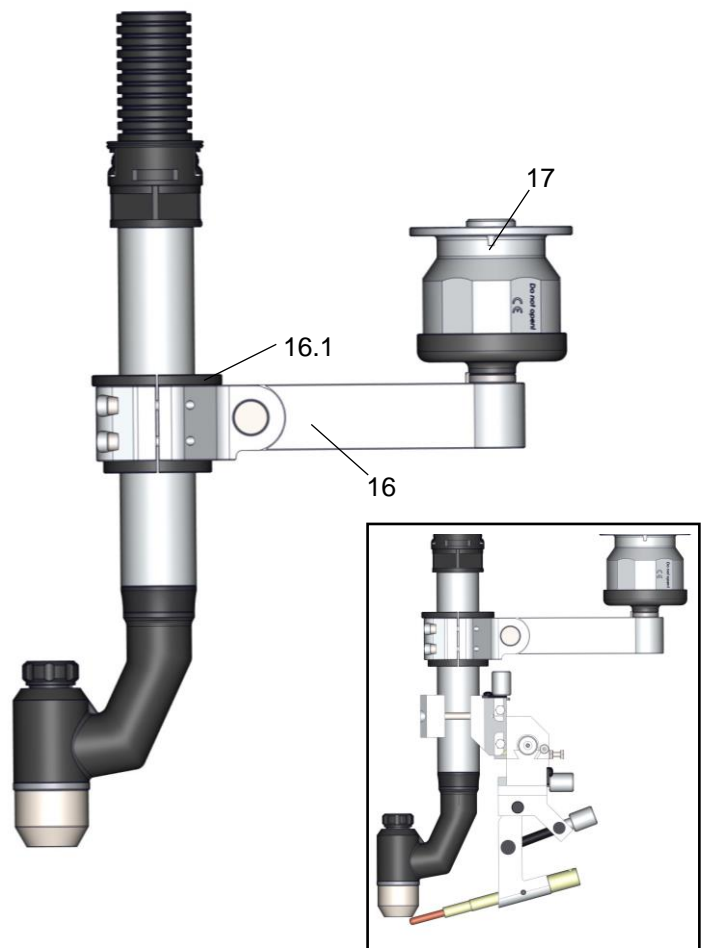
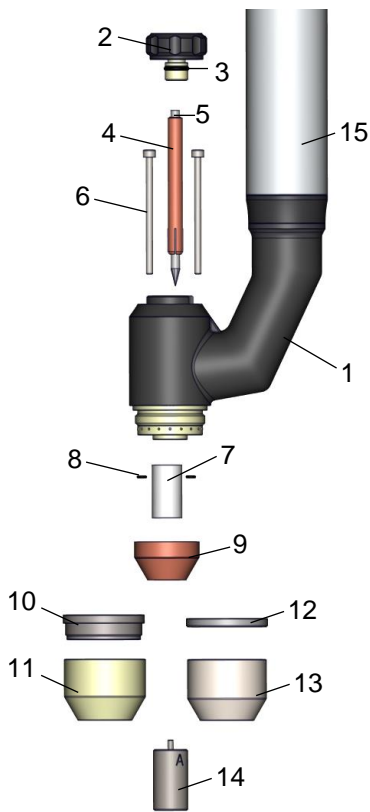




Plasma-Powder-Torch PTR301-AUT

Technical data according to EN 60 974-7

Rating:	280A DC
Duty cycle:	@100%
Tungsten electrodes:	Ø3,2 - 4,0mm
Pilot current	5 - 15A
Filler metal:	metal powder, carbid powder
Powder flow rate:	max. 80g/min
Cooling method:	2-circuit water cooling
Powder method	2-Powder feeder



Part Number for complete Welding Torch

Part No.

4m

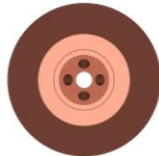
Plasma-Powder-Torch PTR 301-A/4m

61041000XX



Spare Part List

Pos.	Part No.	Description	Pos.	Part No.	Description
1	61041000	Torch body PTR301-A	10	610400051	Insulator ring for brass nozzle
2	61020003	Torch cap	11	61040012	Brass-nozzle PTR 301
3	41328002	O-ring	12	61040005	Insulator ring for ceramic nozzle
4	61040004	Collet 4,0mm	13	61040011	Ceramic nozzle PTR 301
	610400041	Collet 3,2mm	14	1007293	Gauge
5	61030018	Tungsten electrode Ø4,0mm	15	61041013	Handle tube PTR 310-A
	610300181	Tungsten electrode Ø3,2 mm	16	20042504	Mounting arm for PTR 301-A incl. sleeve (16.1)
6	61040003	Screw for Plasma-nozzle	16.1	200425041	Sleeve
7	1007204	Ceramic sleeve	17	20040035	Robot Mount ARB-2 "soft" incl. signal cable and mounting kit
8	61040007	O-ring		20040034	Robot Mount ARB-2 "medium" incl. signal cable and mounting kit
9	610400010	Plasma-nozzle Ø2,9mm with 4 powder holes Ø2,0mm (90°)	no fig.	75105105	Silicon
	610400013	Plasma-nozzle Ø2,3mm with 4 powder holes Ø1,2mm (90°)	no fig.	9940000168	Starter-kit for PTR 301 consists of:
	610400012	Plasma-nozzle Ø3,2mm with 4 powder holes Ø1,2mm (90°)			1x 41328002 O-ring
	610400014	Plasma-nozzle Ø3,6mm with 4 powder holes Ø1,2mm (90°)			1x 61040004 Collet
		For any other dimensions, please contact us.			1x 61030018 Tungsten electrode
					1x 1007204 Keramik Isolierhülse
					4x 61040007 O-ring
					1x 610400012 Plasma nozzle
					1x 61040011 Ceramic nozzle
					1x 1007293 Gauge
					1x 75105105 Silicon



Plasma-nozzle with 4x powder holes (90°)