



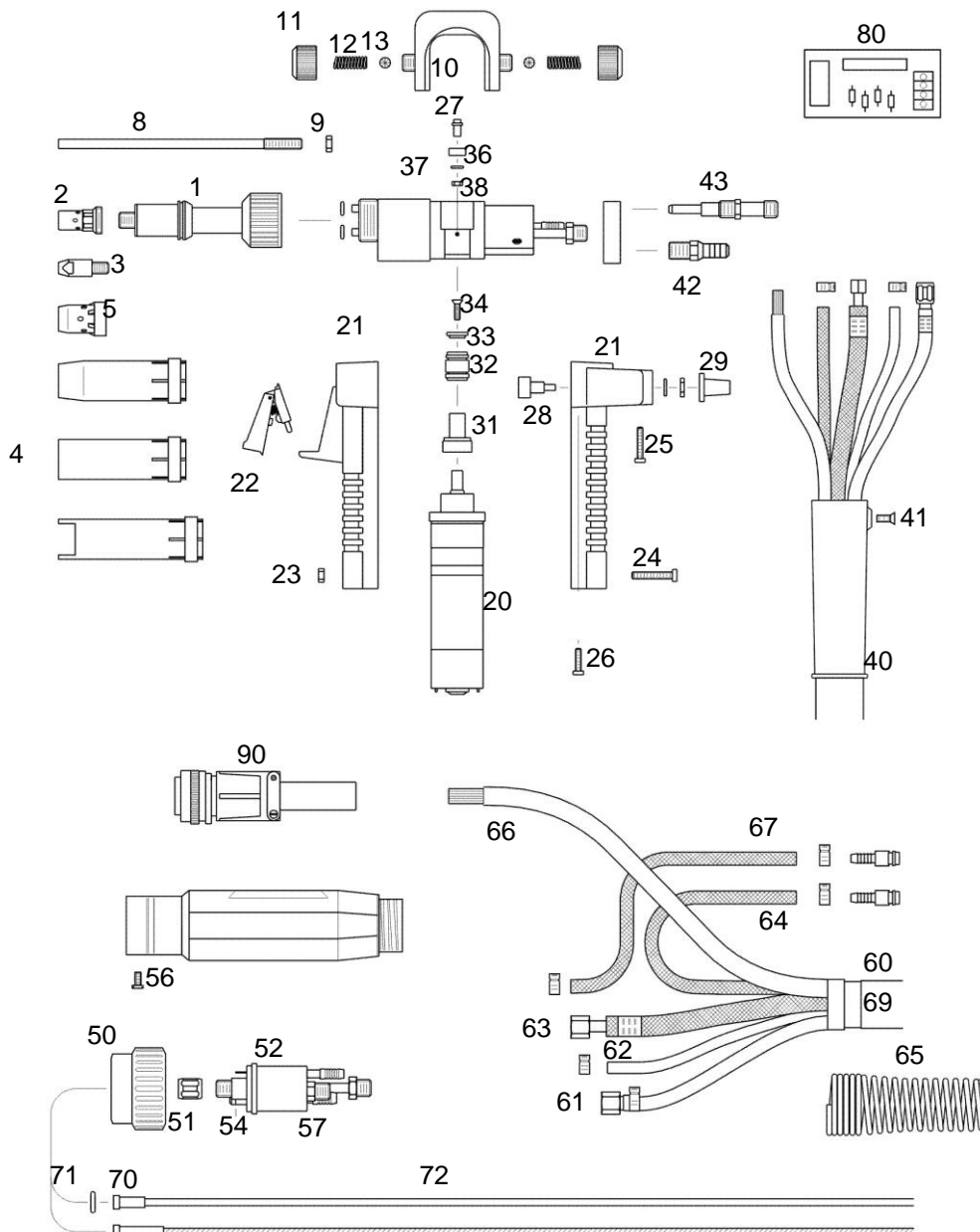
Push-Pull-Manual Welding Torch PPW 400, water cooled



Technical data according to EN 60 974-7

Rating:

CO ₂ :	400A
Mixed gases M21:	350A
Duty Cycle:	@100%
Wire-Ø:	0.8 – 1.6mm





Part Number for complete Welding Torch

Part No.	6m	8m	10m
with straight neck	2446001	2448001	2440001
with 45° neck	2446002	2448002	2440002

Spare Part List

Pos.	Part No.	Description	Pos.	Part No.	Description
1	2440200	Swan Neck Straight	23	0040001	Nut
	2440300	Swan Neck 45°	24	0042501	Screw M 4 x 25
2	2410406	Tip Adapter, M 6 short	25	0032001	Screw M 3 x 20
	2410408	Tip Adapter, M 8 short	26	0031001	Screw M 3 x 10
	2410416	Tip Adapter, M 6 long	27	2660104	Axle
	2410418	Tip Adapter, M 8 long	28	26613100	Poti (standard = 10 KOhm)
3	24106xx	Contact Tip M 8 x 30, ø in mm / Ecu	29	2661301	Knop
	24176xx	Contact Tip M 8 x 30, ø in mm / CuCrZr	30	2440100	Torch Body PPW 400
	24166xx	Contact Tip M 8 x 30, ø in mm / for Alu	31	2662300	Drive Roll Seat
	<i>Contact Tips available in ø 0.8 / 0.9 / 1.0 / 1.2 mm</i>		32	2662408	Drive Roll Ø 0,8mm Steel
	<i>Please insert wire diameter at xx.</i>			2662409	Drive Roll Ø 0,8mm Alu
	<i>Example: ø 1.2 mm is: 12; Part No.: 2410612</i>			2662419	Drive Roll Ø 0,9mm Steel
4	2410802	Gas Nozzle, conical		2662418	Drive Roll Ø 0,9mm Alu
	2410803	Gas Nozzle, tapered		2662410	Drive Roll Ø 1,0mm Steel
	2410801	Gas Nozzle, Cylindrical		2662411	Drive Roll Ø 1,0mm Alu
5	2410702	Gas Diffusor, white		2662412	Drive Roll Ø 1,2mm Steel
	2410700	Gas Diffusor, black		2662413	Drive Roll Ø 1,2mm Alu
8	2660201	Guide Tube long	33	2662301	Washer
	2660301	Guide Tube short	34	0031003	Screw
9	2660202	Lock Nut	35	2660101	Pressure Arm
10	2660900	Snap-On-Head cpl	36	2662500	Pressure Roll
11	2660903	Cap	37	2662501	Beilagscheibe
12	2660902	Spring	38	0030001	Nut
13	2660901	Ball Bearing	39	0031500	O - Ring
20	2662200	Motor 42 V (standard)	50	2151700	Nut
	2662224	Motor 24 V	51	2151501	Liner Positioner Nut
21	2661000	Handle, left & right Half	52	2411500	Gun Plug Body, water cooled, (Euro)
22	2141100	Trigger cpl.			



Pos.	Part No.	Description	Pos.	Part No.	Description
54	0041000	O - Ring	70	2415640	Collet for Steel Liner 4,0 mm
	2411600S1	Gun Plug Housing 3		2415645	Collet for Steel Liner 4,5 mm
	0040601	Screw		2155740	Collet for PTFE Liner 4,0 mm
	2411501	Threaded Nipple		2415747	Collet for PTFE Liner 4,7 mm
60	2443940	Cable Assembly, 4 m	71	0031500	O - Ring
	2443960	Cable Assembly, 6 m	72	3401541	Steel Liner 1.5 x 4.0 mm / 4 m
	2443980	Cable Assembly, 8 m		3401561	Steel Liner 1.5 x 4.0 mm / 6 m
	2443900	Cable Assembly, 10 m		3401581	Steel Liner 1.5 x 4.0 mm / 8 m
61	2444640	Liner Conduit 4 m		3401511	Steel Liner 1.5 x 4.0 mm / 10 m
	2444660	Liner Conduit 6 m		3411540	PTFE- Liner 1.5 x 4.0 mm / 4 m
	2444680	Liner Conduit 8 m		3411560	PTFE- Liner 1.5 x 4.0 mm / 6 m
	2444600	Liner Conduit 10 m		3411580	PTFE- Liner 1.5 x 4.0 mm / 8 m
62	2444340	Gas Hose 4 m		3411510	PTFE- Liner 1.5 x 4.0 mm / 10 m
	2444360	Gas Hose 6 m		3412040	PTFE- Liner 2,0 x 4.0 mm / 4 m
	2444380	Gas Hose 8 m		3412060	PTFE- Liner 2,0 x 4.0 mm / 6 m
	2444300	Gas Hose 10 m		3412080	PTFE- Liner 2,0 x 4.0 mm / 8 m
63	2444140	Power Cable, cpl. 4 m		3412010	PTFE- Liner 2,0 x 4.0 mm / 10 m
	2444160	Power Cable, cpl. 6 m		3452041	Steel Liner 2,0 x 4.5 mm / 4 m
	2444180	Power Cable, cpl. 8 m		3452061	Steel Liner 2,0 x 4.5 mm / 6 m
	2444100	Power Cable, cpl. 10 m		3452081	Steel Liner 2,0 x 4.5 mm / 8 m
64	2444240	Water Inlet House cpl. 4 m		3452011	Steel Liner 2,0 x 4.5 mm / 10 m
	2444260	Water Inlet House cpl. 6 m		3452541	Steel Liner 2,5 x 4.5 mm / 4 m
	2444280	Water Inlet House cpl. 8 m		3452561	Steel Liner 2,5 x 4.5 mm / 6 m
	2444200	Water Inlet House cpl. 10 m		3452581	Steel Liner 2,5 x 4.5 mm / 8 m
65	2411611	Cable Support Spring		3452511	Steel Liner 2,5 x 4.5 mm / 10 m
66	2664440	Control Cable cpl. 4 m		3472740	PTFE- Liner 2,7 x 4.7 mm / 4 m
	2664460	Control Cable cpl. 6 m		3472760	PTFE- Liner 2,7 x 4.7 mm / 6 m
	2664480	Control Cable cpl. 8 m		3472780	PTFE- Liner 2,7 x 4.7 mm / 8 m
	2664410	Control Cable cpl. 10 m		3472710	PTFE- Liner 2,7 x 4.7 mm / 10 m
67	2414705	Water Outlet Hose 0,55 m, kpl	80	2662100	Printed Circuit Board PP (PCB)
69	2444540	Cover Hose cpl. 4 m		2662124	PCB 24 V Motor
	2444560	Cover Hose cpl. 6 m	90	T3012002	Tuchel Plug 5-pole
	2444580	Cover Hose cpl. 8 m			
	2444500	Cover Hose cpl. 10 m			