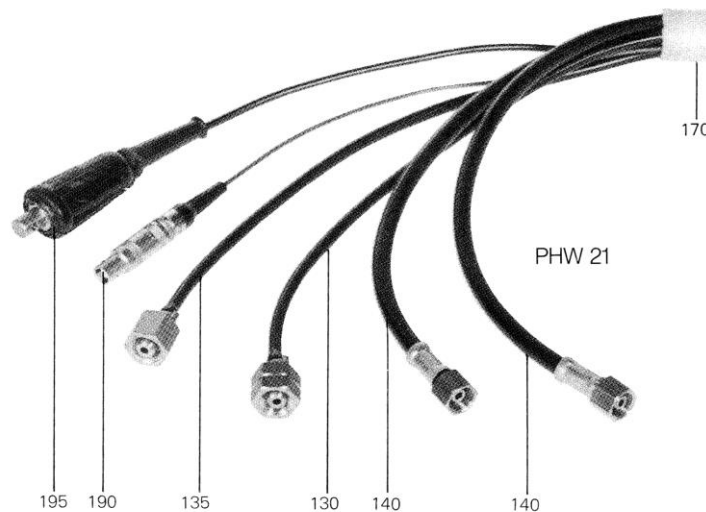
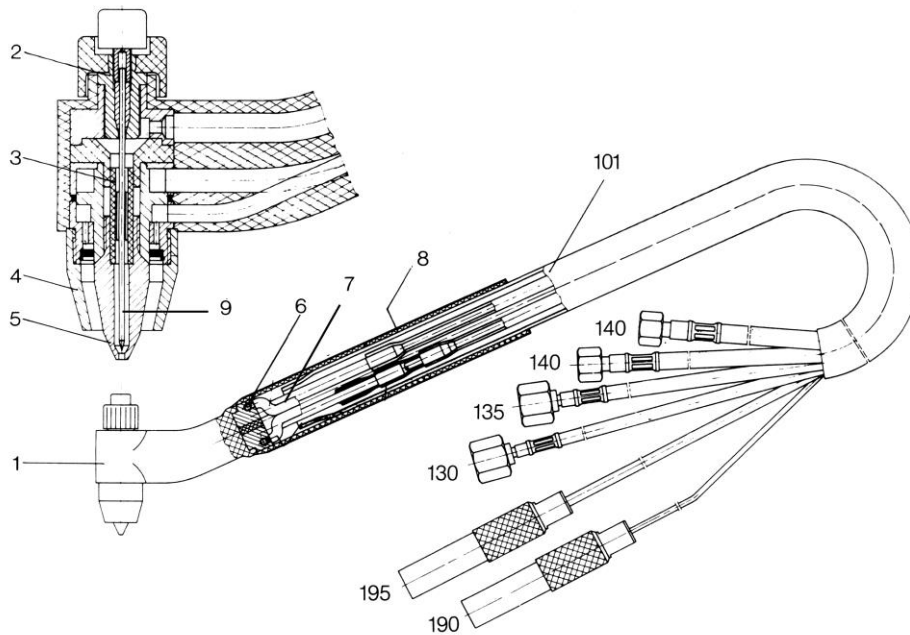




Manual Welding Torch PHW20-2/21, water cooled

Technical data according to EN 60 974-7

Rating:	max.20A
Duty cycle:	@ 60%
Plasma gas:	Argon
Shielding gas:	Argon/ Hydrogen





Part Number for complete Welding Torch

Part No.	3m
PHW 20-2	75303061
PHW 21	75303641

Spare Part List

Pos.	Part No.	Description	Pos.	Part No.	Description
1	75303062	Torch Body	101	75303643	Cable Assembly PHW 21 cpl. 3 m
2	75303064	Electrode Holder cpl	130	75300377	Hose Schielding Gas G 1/4 LH
2.1	75303642	Electrode Holder	135	75300376	Hose Plasma Gas G 1/4
2.2	75300554	Clamping Screw	140	75300375	Water Hose, PHW 21 (2 pcs)
2.3	75303066	Colet	170	445326	Cover Hose (per m)
3	75303246	Guide	190	75303646	Cable, Auxiliary Arc
4	75303074	Gas Nozzle		0500147	Plug
5	75303243	Orifice Insert0,5 mm (L = 24,2 mm)	195	75303645	Cable, Auxiliary Arc PHW 21 cpl
	75303244	Orifice Insert0,8 mm (L = 24,2 mm)		3001201	Plugr 10 - 25
	75303245	Orifice Insert1,0 mm (L = 24,2 mm)			
	75303480	Orifice Insert0,8 mm dental (L = 29,2 mm)			Accessories:
6	47410380	Threaded RingM3 x 5		75303083	Gauge
7	18701550	Flat Head Maschine ScrewM5 x 6		75303481	Gauge dental
8	75320063	Handle			
9	75303112	Electrode 1,0 x47 - WL 10			
	75303482	Electrode 1,0 x 52 - WL 10			
101	75300890	Cable Assembly PHW 20-2 kpl. 3 m			
130	75300377	Hose Schielding Gas G1/4 LH			
135	75300376	Hose Plasma Gas G1/4			
140	75300375	Water Hose, PHW 20-2, M12 x 1 (2 pcs)			
170	445326	Cover Hose (per m)			
190	75300895	Cable, Auxiliary Arc			
195	75300894	Cable, Main Arc			
	75986511	Plug			