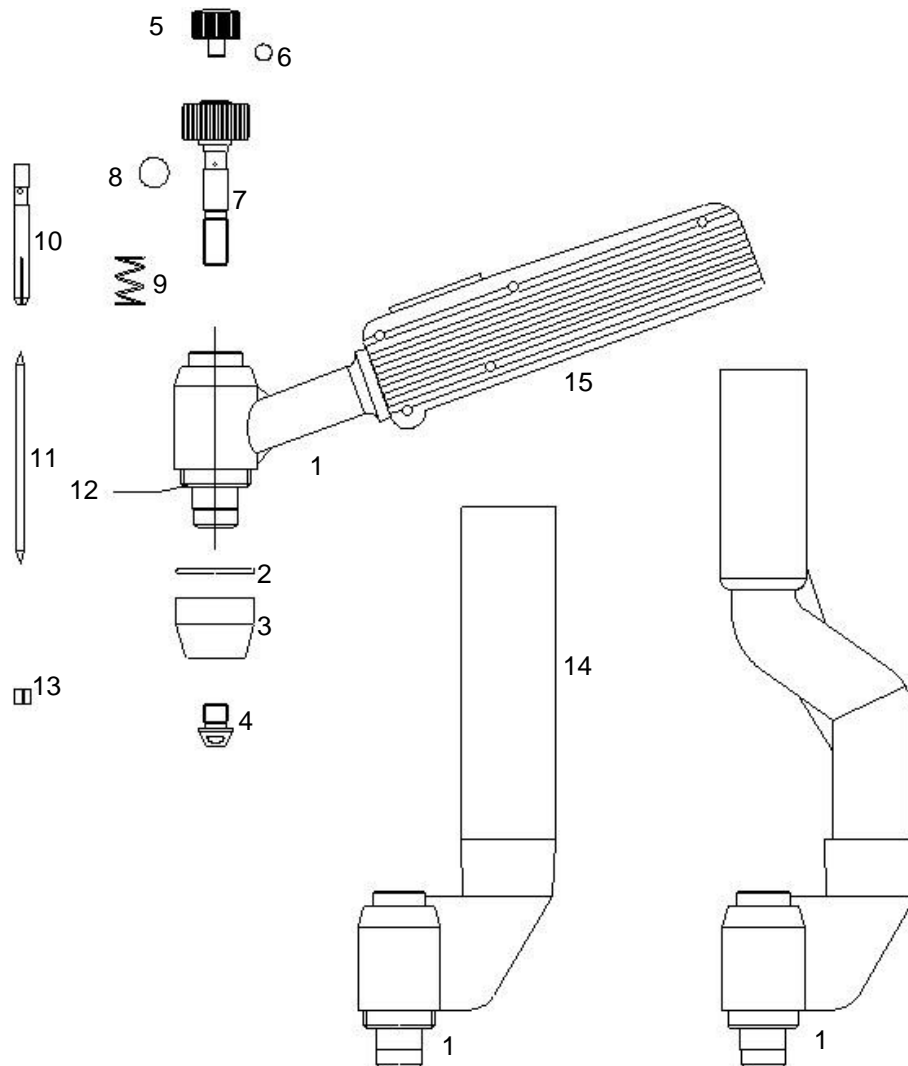




Machine-and Manual-Welding Torch PHB/PMB 150, water cooled

Technical data according to EN 60 974-7

Rating:	150 A
Gas supply:	Plasma gas / shielding gas
Duty cycle:	@60%
Plasma gas:	G1/4"
Shielding gas:	G1/4", left





Part Number for complete Welding Torch

Part No.	3m
Welding Torch cpl	60010000
Machine Torch cpl.	60020000
Machine Torch angular, cpl.	60030000

Spare Part List

Pos.	Part No.	Description	Pos.	Part No.	Description
1	60010001	Torch Body Manual Torch PHB 150	13	60010015	Centering Bushing, ceramic 1,6 mm
	60020001	Torch Body Machine Torch PMB 150		60010016	Centering Bushing, ceramic 2,4 mm
	60030001	Torch Body Machine Torch PMB 150, angular	14	60010002	Handle Tube Machine Torch
2	60010022	O - Ring	25	60010030	Handle Manual Welding torch
3	60010020	Gas Nozzle # 14			
	60010021	Gas Nozzle # 16	without picture	60040000	Cable Assembly cpl. 3 m
	60010023	Gas Nozzle # 18	without picture	60050001	Electrode Adjustment Tool
	60010024	Gas Nozzle # 20	without picture	50010025	Spare Part Box, without spares
4	60010010	Orifice Insert1,0 mm up to 30 Amp.			
	60010011	Orifice Insert1,2 mm up to 30 Amp.			
	60010012	Orifice Insert1,6 mm up to 80 Amp.			
	60010013	Orifice Insert2,0 mm up to 120 Amp.			
	60010014	Orifice Insert2,4 mm up to 150 Amp			
5	60010005	Back Cap			
6	60010006	O - Ring for Back Cap			
7	60010003	Collet Body cpl. for all electrodes			
8	60010004	O - Ring for Collet Body			
9	60010007	Spring			
10	60010008	Collet 1,6 mm			
	60010009	Collet 2,4 mm			
11	60010017	Tungsten Electrode 1,6 mm, 72 mm long			
	60010018	Tungsten Electrode 2,4 mm, 72 mm long			
12	60010019	Gas lens			