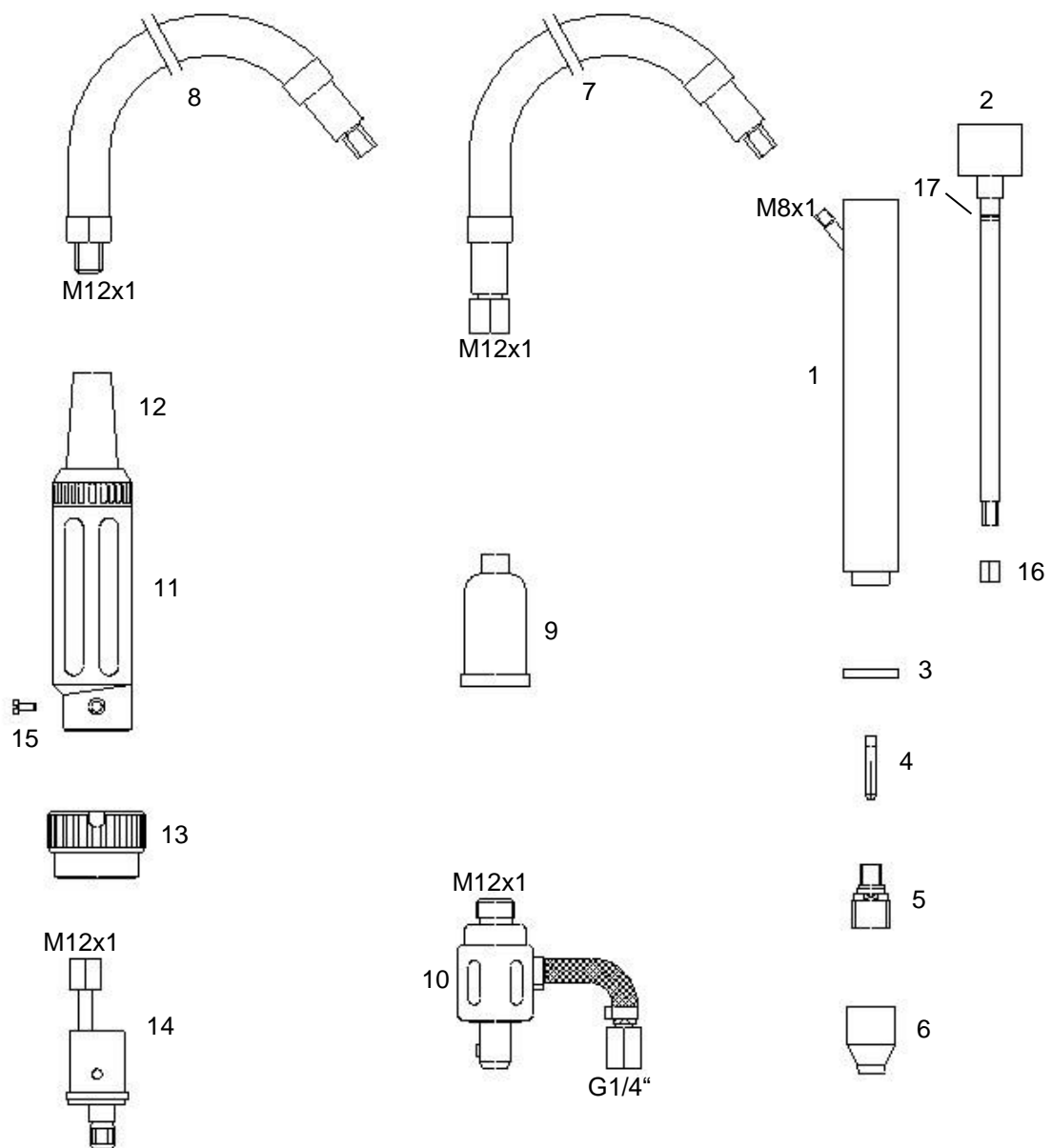




Machine Torch AUT-WIG 200G, gas cooled

Technical data according to EN 60 974-7

Rating:	200A DC 140A AC
Duty cycle:	@35%
Tungsten electrodes:	Ø0,5 – 3,2mm





Part Number for complete Welding Torch

Part No.	4m	8m
Single Connection	1294001	1298001
Gun Plug Body GZ0	1294002	1298002

Spare Part List

Pos.	Part No.	Description	Pos.	Part No.	Description
1	1290100	Torch Body AUT-WIG 200 G	12	2151200	Gun Plug Housing
	1290101	Torch Body AUT-WIG 200 G without Guide Tube	13	2151700	Plug Nut
2	1290300	Guide Tube, cpl.	14	2151503	Gun Plug Body GZ0
3	1290200	Teflon Insulator	15	0040601	Screw
4	12005xx	Collets	16	1290301	Nut for Collet
		<i>Collets available in \varnothing 1.0/1.6/2.4/3.2 mm</i>	17	0061500	O-Ring
		<i>Please insert wire diameter at xx.</i>			
		<i>Example: \varnothing 1,0 mm is: 10; Part-No.: = 1200510</i>			
5	1202310	Collet Body with Gas Lens 1,0 mm			
	1202316	Collet Body with Gas Lens 1,6 mm			
	1202324	Collet Body with Gas Lens 2,4 mm			
	1202332	Collet Body with Gas Lens 3,2 mm			
6	1202404	Ceramic Gas Nozzle Gr. 4			
	1202405	Ceramic Gas Nozzle Gr. 5			
	1202406	Ceramic Gas Nozzle Gr. 6			
	1202407	Ceramic Gas Nozzle Gr. 7			
	1202408	Ceramic Gas Nozzle Gr. 8			
7	1294140	Power / Gas-Cable 4 m (Single Connection)			
	1294180	Power / Gas-Cable 8 m (Single Connection)			
8	1294141	Strom / Gas-Kabel 4 m (Gun Plug Body)			
	1294181	Strom / Gas-Kabel 8 m (Single Connection)			
9	0331022	Insulation Sleeve			
10	3595112	Plug SK 50, kpl. G 1/4"			
11	2251601	Gun Plug Housing			