



Push-Pull-Manual Welding Torch ARgo PP 400W, water cooled

Technical data according to EN 60 974-7

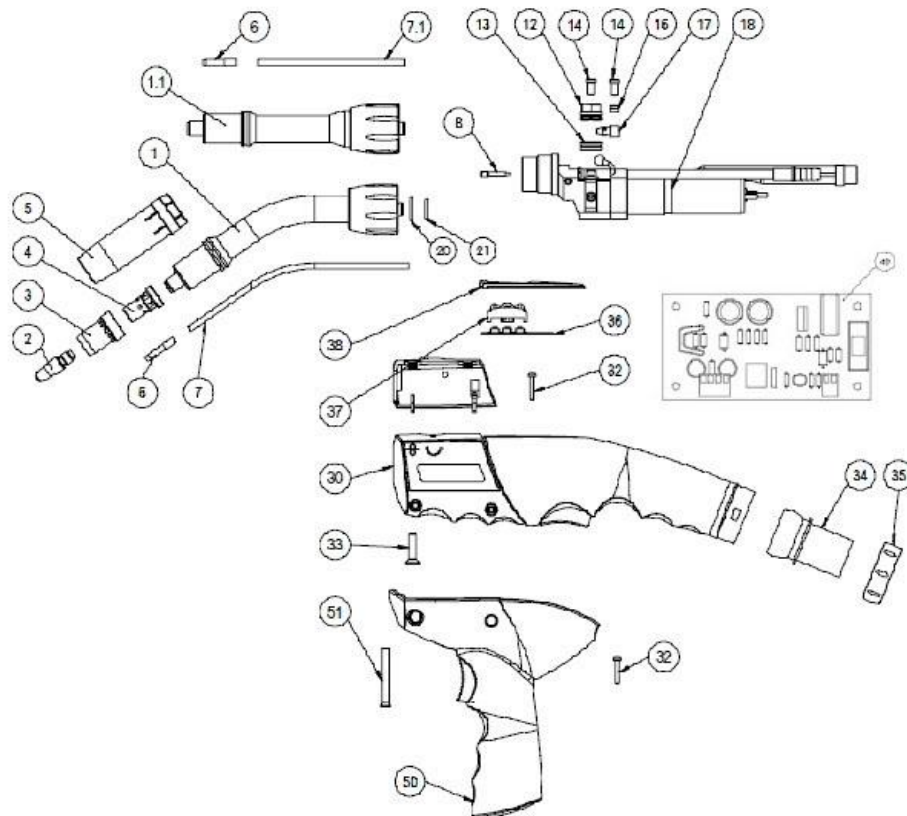
Rating:

CO₂: 400A

Mixed gases M21: 350A

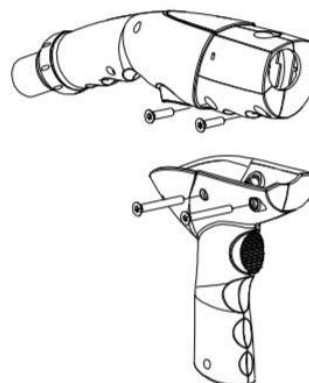
Duty Cycle: @100%

Wire-Ø: 0.8 – 1.6mm



Assembling Pistol Grip Handle:

- remove short screws (Pos.33)
- bring the Pistol Grip in position
- insert long screws (Pos.51)





Part Number for complete Welding Torch

Part No.	6m	8m	10m
with straight neck, Euro-connector	7126001	7128001	71210001
with 35° neck, Euro-connector	7126002	7128002	71210002

Different connections on request

Spare Part List

Pos.	Part No.	Description	Pos.	Part No.	Description
1	7120300	Swan Neck 35°	12	7082402	Drive Roll Ø 1,2mm Alu
1.1	7120200	Swan Neck straight		7082412	Drive Roll Ø 1,2mm Steel
2	24106xx	Contact Tip M 8 x 30, ø in mm / Ecu		7082406	Drive Roll Ø 1,6mm Alu
	24176xx	Contact Tip M 8 x 30, ø in mm / CuCrZr		7082416	Drive Roll Ø 1,6mm Steel
	24166xx	Contact Tip M 8 x 30, ø in mm / for Alu			
	<i>Contact Tips available in ø 0.8 / 0.9 / 1.0 / 1.2 / 1.4 / 1.6 mm Please insert wire diameter at xx. Example: ø 1.2 mm is: 12; Part No.: = 2410612</i>		13	7082508	Pressure Roll Ø 0,8mm Alu/ Steel
3	2410702	Gas Diffusor, white		7082509	Pressure Roll Ø 0,9mm Alu/ Steel
	2410700	Gas Diffusor, black		7082510	Pressure Roll Ø 1,0mm Alu/ Steel
5	2410406	Tip Adapter M6 short		7082512	Pressure Roll Ø 1,2mm Alu/ Steel
	2410408	Tip Adapter M8 short		7082516	Pressure Roll Ø 1,6mm Alu/ Steel
	2410416	Tip Adapter M6 long	14	7080104	Screw
	2410418	Tip Adapter M8 long	16	7080107	Clamp
5	2410802	Gas Nozzle, conical	17	7080120	Guide
	2410803	Gas Nozzle, tapered	18	70801003	Drive Unit ARgo-PP water, cpl.
	2410801	Gas Nozzle, cylindrical	20	0131500	O-Ring
6	7100109	Neck-Liner Heat Shield	21	9940000955	O-Ring
7	7120111	Neck-Liner for bent neck	30	7141020	Handle ARgo-PP cpl.
7.1	7120112	Neck-Liner for straight neck	32	00316041	Screw
8	7080110	Wire Guide	33	0052001	Screw TX
12	7082408	Drive Roll Ø 0,8mm Alu	34	45050240	Swivel
	7082418	Drive Roll Ø 0,8mm Steel	35	2113102	Ring
	7082409	Drive Roll Ø 0,9mm Alu	36	7141025	optional: PCB UP/DOWN
	7082419	Drive Roll Ø 0,9mm Steel	37	2112111S	optional: Trigger Insert UP/DOWN, black
	7082410	Drive Roll Ø 1,0mm Alu	38	7141024	optional: Cover for Trigger Insert UP/DOWN
	7082411	Drive Roll Ø 1,0mm Steel			



Pos.	Part No.	Description	Pos.	Part No.	Description
40	7072100	PCB Pull Motor Drive Board			
50	7141022	Pistol Grip Handle Attachement			
51	0044001	Screw TX			
without picture	7103964	Cable Assembly 6m, cpl. with Euro-connector			
without picture	7103984	Cable Assembly 8m, cpl. with Euro-connector			
without picture	71039104	Cable Assembly 10m, cpl. with Euro-connector			