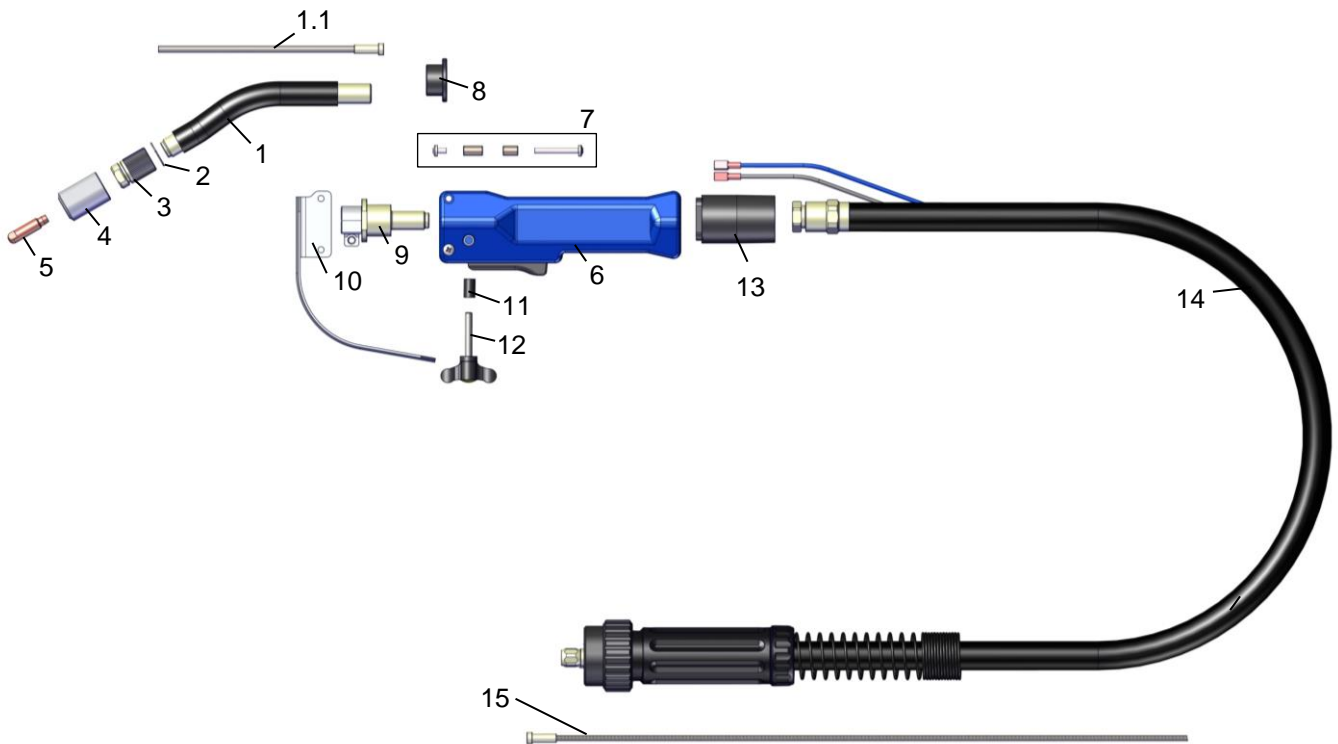




Flux-Cored Welding Torch ARgo-Flux 400G, air cooled

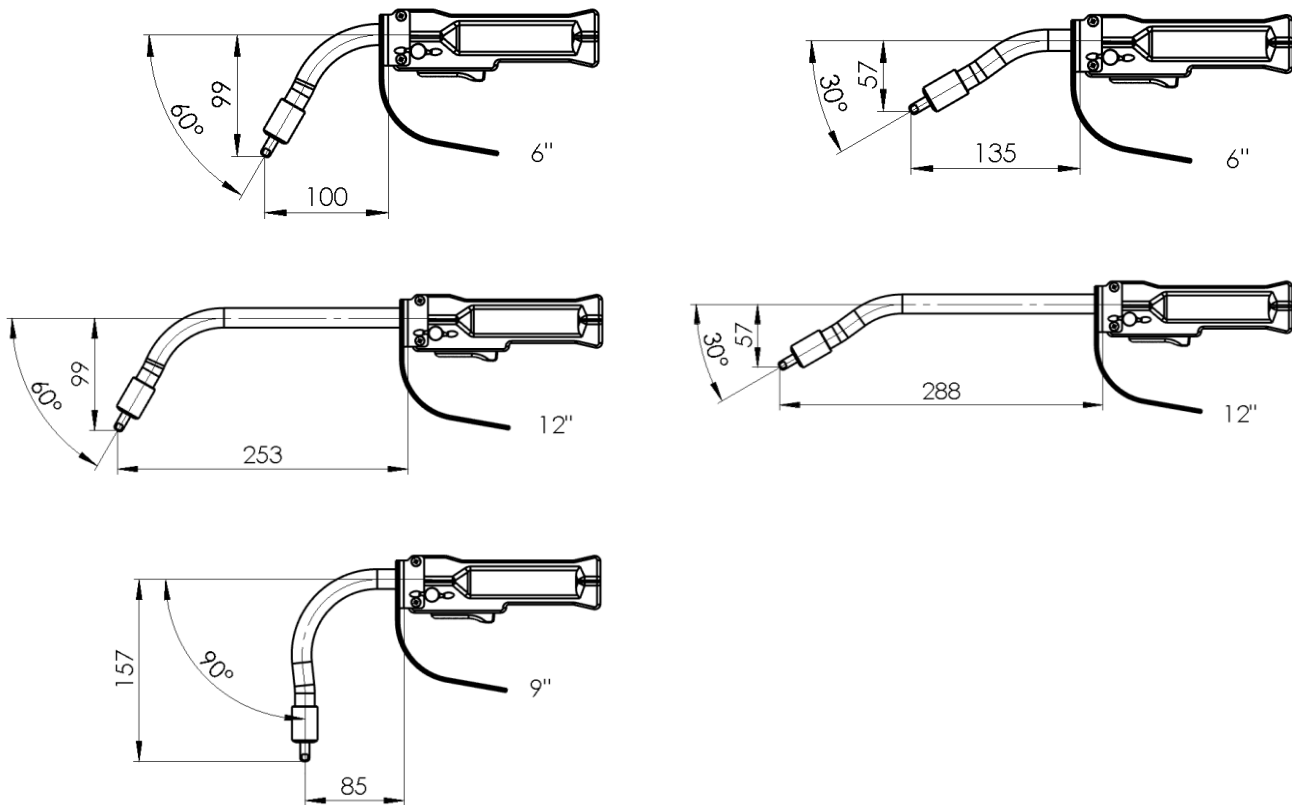
Technical Data according to EN 60 974-7

Rating: 380A
Duty cycle: @60%
Wire-Ø: 1,2 – 2,4mm



Gun configurator for complete torches			
Argo-Flux 400G	Cable Length	Necks	Connector
730	30 3,00m 40 4,00m 50 5,00m	1 135mm (6")x30° 2 100mm (6")x60° 3 288mm (12")x30° 4 253mm (12")x60° 5 85mm (9")x90°	0 Euro-Connector 1 Mi-Connector 2 Ln-Connector

Example: 7303010 ARgo-Flux 400G/3m Hals 6" x 30°, Euro-Connection



Spare Part List

Pos.	Part No.	Description	Pos.	Part No.	Description
1	7300101	Neck 135mm (6") x 30°	6	7301220	Handle Kit
	7300102	Neck 288mm (12") x 30°	7	7201225	Screw-Set
	7300103	Neck 100mm (6") x 60°	8	7301221	Ring
	7300104	Neck 253mm (12") x 60°	9	7301200	Connection Block
	7300105	Neck 85mm (9") x 90°	10	7301210	Heat Shield
1.1	7200151	Neck liner 6"	11	7201221	Sleeve
	7200154	Neck liner 9"	12	7201222	Neck Screw
	7200153	Neck liner 12"	13	75102356	Cable Support
2	7300190	Ring	14	30050303	Coax cable 3m with special connection
3	7300195	Flux Tip Holder (5/16" spezial)		30050403	Coax cable 4m with special connection
4	7300193	HD-Insulator for tip – Ø8mm		30050503	Coax cable 5m with special connection
5	100035xx	Contact Tip E-Cu	15	3493530	Steel Liner 3,5x4,9mm/3m
	100036xx	Contact Tip CuCrZr		3493540	Steel Liner 3,5x4,9mm/4m
		Tips available in \varnothing 1.2/1.4/1.6/2.0/2.4 mm		3493550	Steel Liner 3,5x4,9mm/5m
		Please insert wire diameter at xx.			
		Example: \varnothing 1,2 mm is: 12; Part No.: = 10003512			