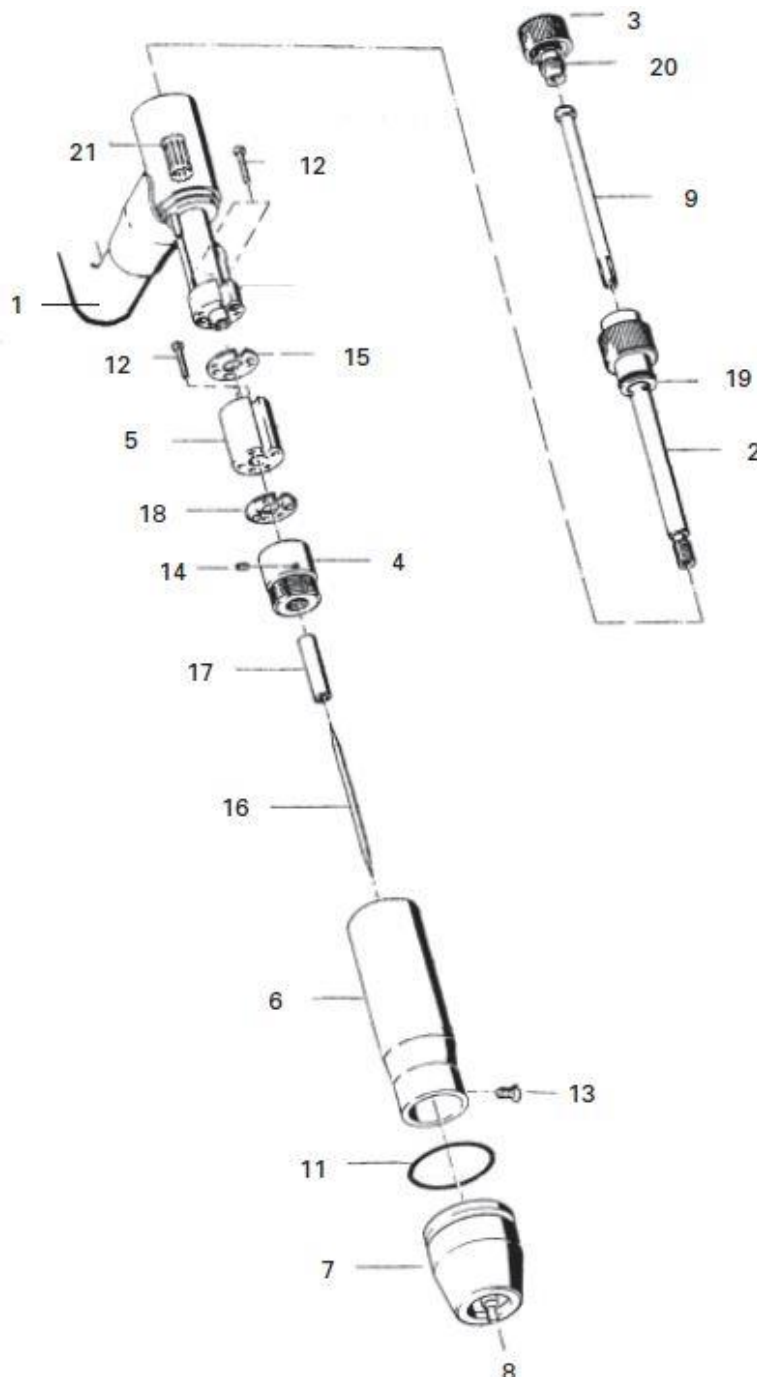




Machine Torch AMW 250-1, water cooled

Technical data according to EN 60 974-7

Rating: 250A DC
220A AC
Duty cycle: @100%
Tungsten electrodes: Ø3,2 – 4,0mm





Part Number for complete Welding Torch

Part No.	1,2m
Single Connection, Cable Assembly parallel with Torch Body	75204001

Spare Part List

Pos.	Part No.	Description	Pos.	Part No.	Description
1	75201888	Torch Body AMW 250-1	14	47410380	Threaded Pin
2	75201843	Collet Body 4,0mm Thread long	15	75201794	Sealing Ring
	75204499	Collet Body 3,2mm Thread short	16	75204790	Tungsten Electrode 3,2mm
3	75200989	Back Cap, cpl.		75201841	Tungsten Electrode 4,0mm
4	75200992	Adapter Body		75201843	Collet Body 4,0mm
5	75200995	Insulator		75201846	Collet 4,0mm
6	75204002	Insulator Tube		75201842	Center Piece 4,0mm
7	75201743	Gas Nozzle, cpl. (Sinter Metal) consists of:		75201841	Electrode 4,0mm
	75201726	Gas Nozzle		75201844	Welding Nozzle CuCrZr 5,0mm
	75201728	Sinterdisc	17	75201272	Centering Stone 3,2mm
	75201727	Distance Ring		75201842	Centering Stone 4,0mm
	75201729	Sinterdisc	18	75201795	Sealing Ring
	75201725	Thread Insert (Metal)	19	46235010	O-Ring 14x2,0
	41329246	O-Ring 25,3x2,4	20	46237140	O-Ring 9,5x1,6
8	75201724	Welding Nozzle 4mm bore	21	75201165	Contactork
	75201844	Welding Nozzle 5mm bore		75204487	Welding Nozzle 2,0mm
9	75204107	Collet 3,2mm		75204488	Welding Nozzle 2,8mm
	75201846	Collet 4,0mm		75204489	Welding Nozzle 3,2mm
10	75201020S2	Cable Assembly 1,2m, cpl.		75204490	Welding Nozzle 3,5mm
	75204006	Gas Hose 1,4m G ¼ right		75204491	Welding Nozzle 4,0mm
	75204009	Shielding Gas Hose 1,4m G ¼ left			
	75204008	Water cooled Power Line 1,4m M12x1 G 3/8			
	75204005	Water Inlet Hose 1,4m G 3/8			
	75204010	Hilibo Cable 1,65m, with Plug cpl.			
	75204003	Insulating Hose Silicone (per meter)			
11	75201166	Sealing Ring			
12	47769570	Screw M3x16 (4 Pieces)			
13	18701550	Flat Headed Machine Screw M5x7			

Info: Plasma Welding Nozzles are used with the Gas Nozzle 75200997