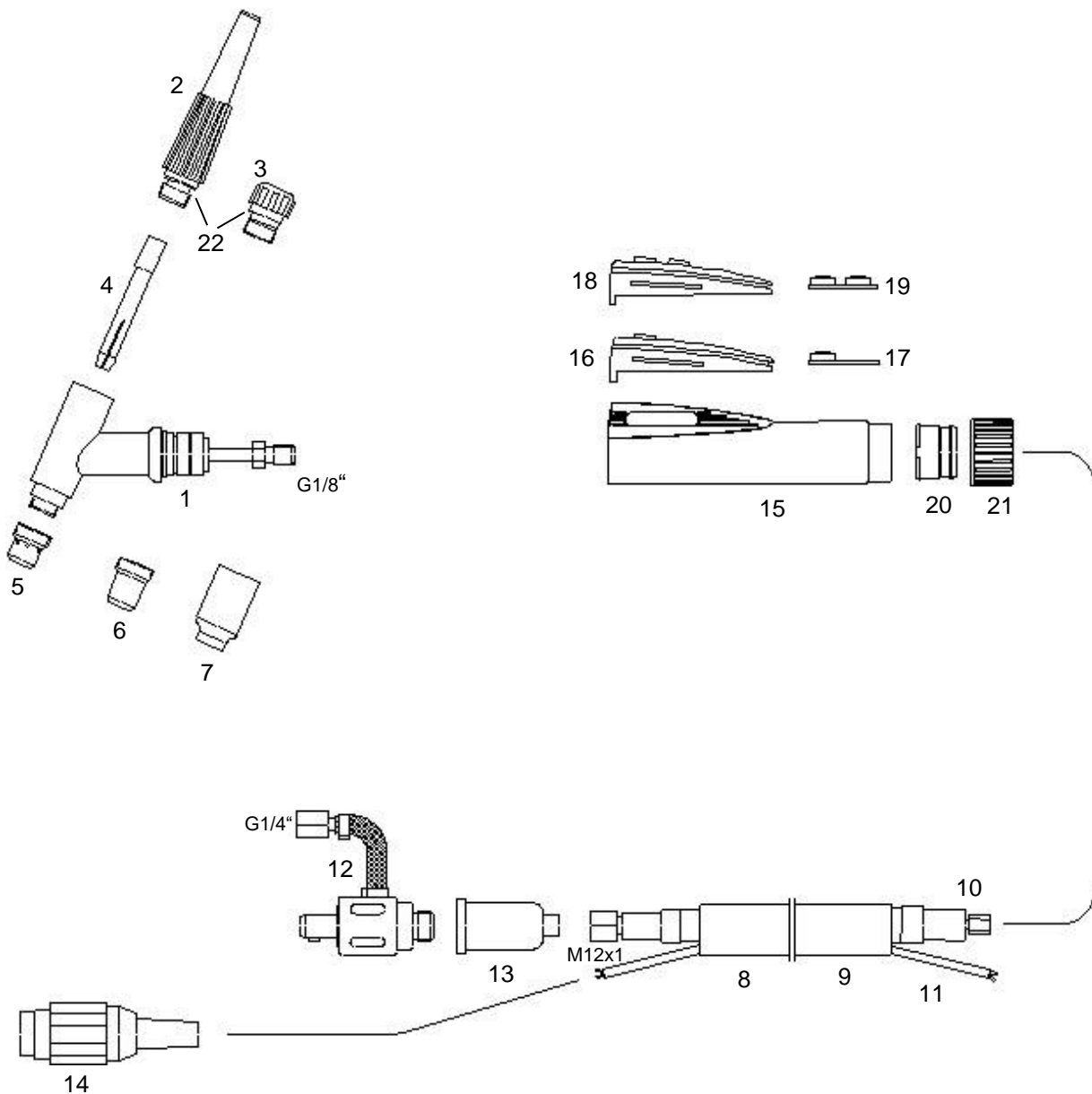




Manual Welding Torch AB 200, air cooled

Technical data according to EN 60 974-7

Rating:	260A
	200A
Duty cycle:	@35%
Tungsten electrodes:	Ø0,5 – 3,2mm





Part Number for complete Welding Torch

Part No.	4m	8m
Single Connection and Tuchel Plug 3-pole	1024001	1028001
Gun Plug Body WKZ and Tuchel Plug 3-pole	1024003	1028003
Gun Plug Body WTG-5	1024002	1028002

Spare Part List

Pos.	Part No.	Description	Pos.	Part No.	Description
1	1020100	Torch Body AB 200	11	0275400	Control Cable 4 m
2	1020200	Back Cap, long		0275800	Control Cable 8 m
3	1040202	Back Cap, short	12	3595112	Plug SK 50, cpl. G 1/4"
4	10405xx	Collet	13	0331022	Insulation Sleeve
		<i>Collets available in \varnothing 1.0/1.6/2.4/3.2 mm</i>	14	T3008002	Tuchel Plug 3-pole
		<i>Please insert wire diameter at xx.</i>	15	1172611	Handle Tube
		<i>Example: \varnothing 1,0 mm is: 10; Art.-Nr.: = 1040510</i>	16	1172621	Trigger Insert Single Switch
5	1050664	Collet Body	17	1172604	Single Switch PCB
6	1042310	Collet Body with Gas Lens 1,0 mm	18	1172622	Trigger Insert Double Switch
	1042316	Collet Body with Gas Lens 1,6 mm	19	1172305	Double Switch PCB
	1042324	Collet Body with Gas Lens 2,4 mm	20	1172613	Cable Support
	1042332	Collet Body with Gas Lens 3,2 mm	21	1172612	Nut for Handle Tube
7	1210704	Ceramic Gas Nozzle Gr. 4	22	0122500	O-Ring
	1210705	Ceramic Gas Nozzle Gr. 5			
	1210706	Ceramic Gas Nozzle Gr. 6			
	1210707	Ceramic Gas Nozzle Gr. 7			
	1210708	Ceramic Gas Nozzle Gr. 8			
8	1024004	Cable Assembly 4 m (Single Connection)			
	1028004	Cable Assembly 8 m (Single Connection)			
9	5202540	Cover Hose 4 m			
	5202580	Cover Hose 8 m			
10	1024148	Power / Gas-Cable 4 m			
	01024188	Power / Gas-Cable 8 m			