

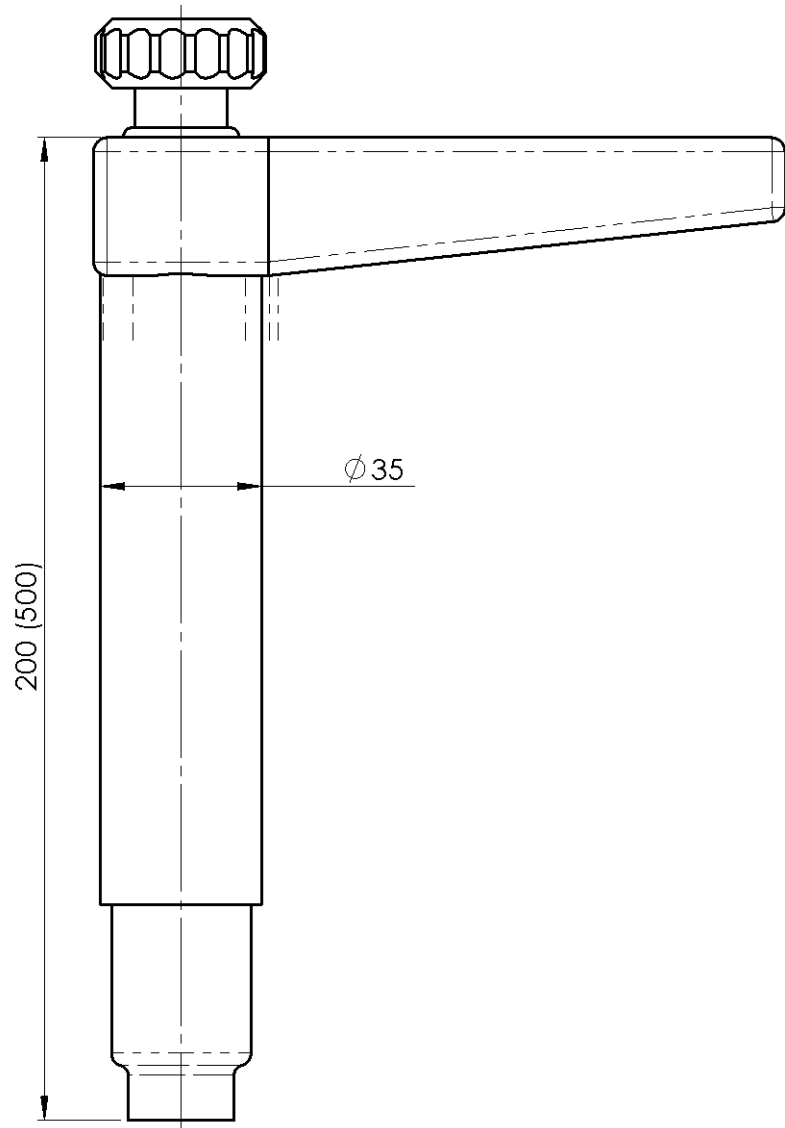
AUTOMATIC TIG WELDING TORCH

AUT-WIG 500 W, 500 A-100% DC

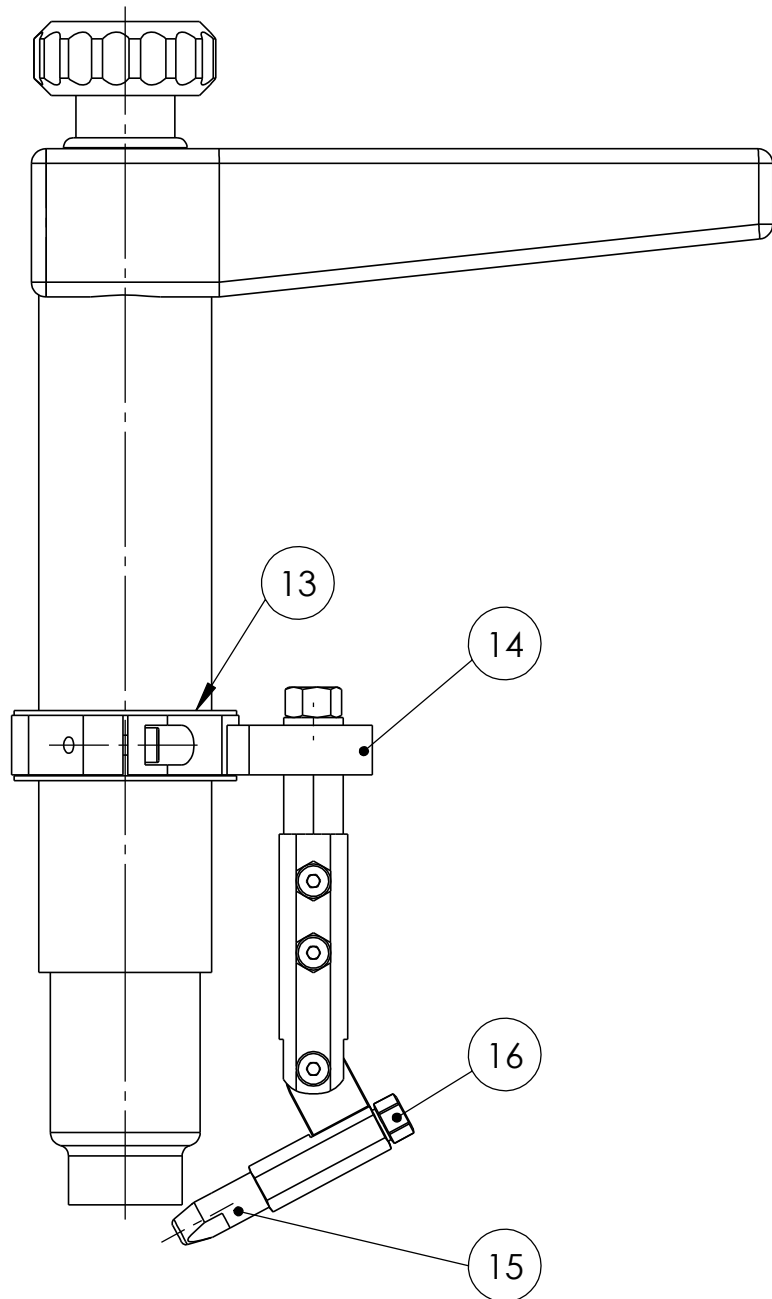
Available torch body lengths: 200mm or 500mm



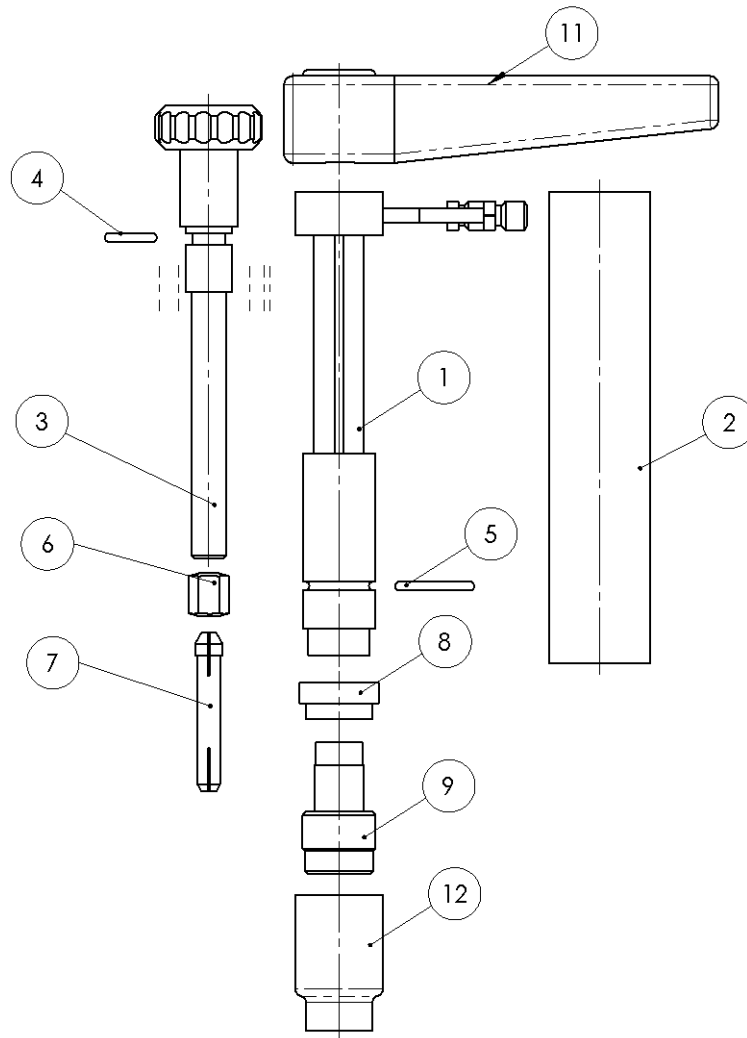
Dimensions: AUT-WIG 500 W



optional Cold Wire Feed: AUT-WIG 500 W



Parts View AUT-WIG 500 W:





Part List AUT-WIG 500 W:

Pos.	Description	Ref. No.
	Torch cpl. AUT-WIG 500W-200mm/ 4m, single connection	51194001
	Torch cpl. AUT-WIG 500W-200mm/ 8m, single connection	51198001
	Torch cpl. AUT-WIG 500W-500mm/ 4m, single connection	51194101
	Torch cpl. AUT-WIG 500W-500mm/ 8m single connection	51198101
1	Torch Body length 200 mm, cpl.	511900200
	Torch Body length 500 mm, cpl.	511900500
2	Tube 200mm	511902200
	Tube 500mm	511902500
3	Shaft assembly 200mm with knob	511903200
	Shaft assembly 500mm with knob	511903500
4	O-Ring	51190411
5	O-Ring	51190412
6	Nut	51190413
7	Collet Ø 2,4	51190424
	Collet Ø 3,2	51190432
	Collet Ø 4,0	51190440
	Collet Ø 4,8	51190448
8	Insulator	51190414
9	Gas Lens Ø 2,4	51190524
	Gas Lens Ø 3,2	51190532
	Gas Lens Ø 4,0	51190540
	Gas Lens Ø 4,8	51190548
10	Screw M 5	51190415
11	Insulating Body	51190416
12	Ceramic Nozzle # 6	57N75
	Ceramic Nozzle # 8	57N74
	Ceramic Nozzle # 10	53N88
	Ceramic Nozzle # 12	53N87
13	Clamp Ring	51190600
14	Cold Wire Holding Fixture	51190603
15	Cold Wire Tip Ø 0,8	350030005
	Cold Wire Tip Ø 1,0	350030006
	Cold Wire Tip Ø 1,2	350030007
16	Collet for Cold Wire Liner	350030001