

## Handschweißbrenner Welding-Torch



### Technische Daten: SB 600 G

Belastung: 450 A CO<sub>2</sub> (nach EN 60 974-7)  
380 A ArCO<sub>2</sub> / M21  
Einschaltdauer: @ 60%  
Draht-ø: 1,4 - 3,2 mm

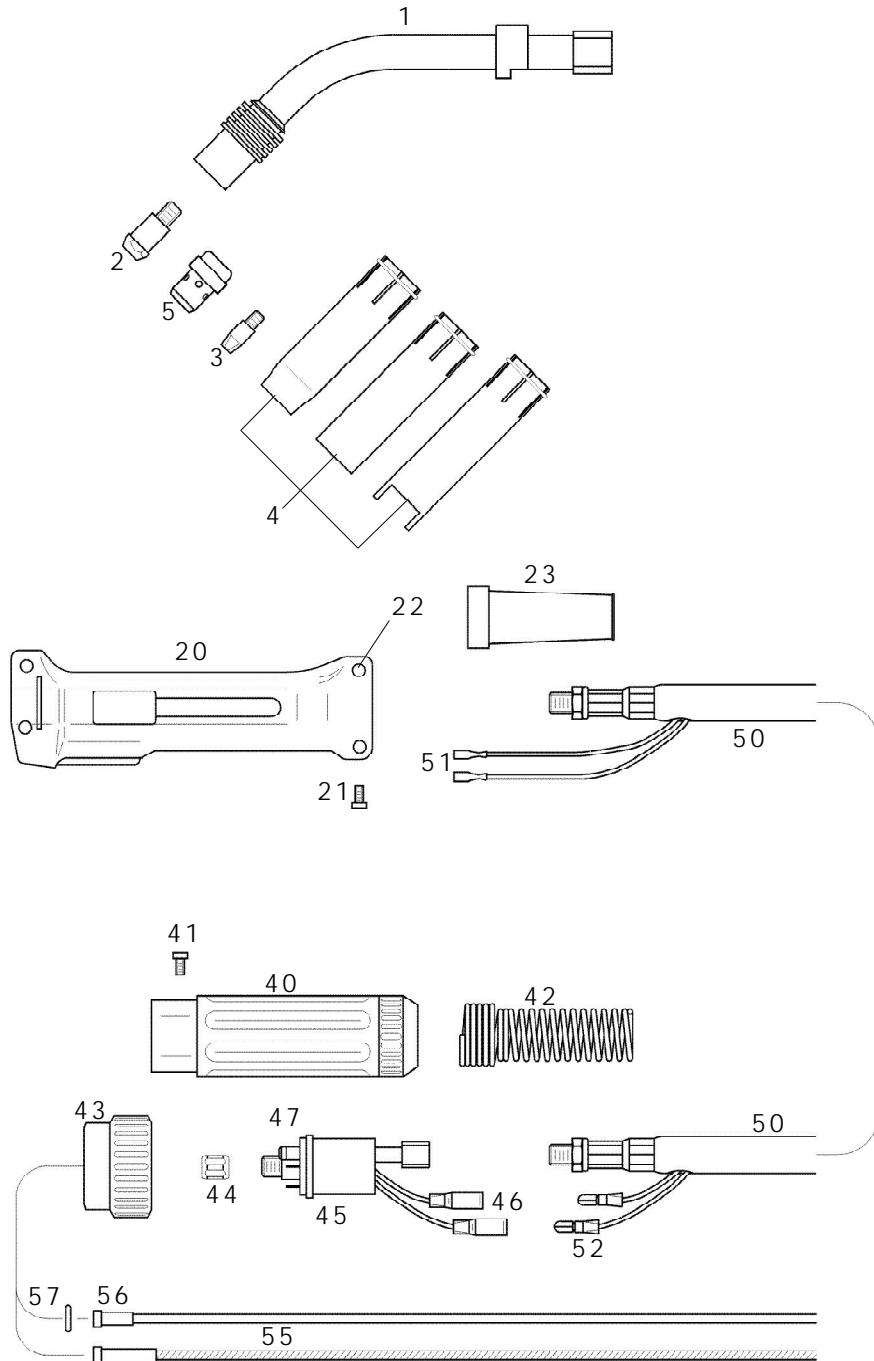
| Artikel Nr. / Einzelheiten | 3 m     | 4 m     | 5 m     |
|----------------------------|---------|---------|---------|
| Standard-Griff             | 2603001 | 2604001 | 2605001 |
| Automatenbrenner 180°      | 2603009 | 2604009 | 2605009 |

### Technical Data: SB 600 G

Rating: 450 A CO<sub>2</sub> (accor. to EN 60 974-7)  
380 A ArCO<sub>2</sub> / M21  
Duty Cycle: @ 60%  
Wire Diameter: 1.4 - 3.2 mm

| Part Number / Details | 3 m     | 4 m     | 5 m     |
|-----------------------|---------|---------|---------|
| Standard Handle       | 2603001 | 2604001 | 2605001 |
| Machine Torch 180°    | 2603009 | 2604009 | 2605009 |

# Handschweißbrenner Welding Torch



|    |                                     |  |         |  |
|----|-------------------------------------|--|---------|--|
| 1  | Brennerbauteile<br>Torch Components | Brennerhals  | 2600100 |  |
|    |                                     | Swan Neck  |         |  |
|    |                                     | Brennerhals AUT - gerade (Maschinenbrenner)  | 2600103 |  |
|    |                                     | Swan Neck AUT - straight (Machine Torch)   |         |  |
|    |                                     | Brennerhals, gerade für Pistolengriff  | 2600106 |  |
|    |                                     | Swan Neck, straight for Pistol Grip Handle   |         |  |
|    |                                     | Brennerhals, 45 ° für Pistolengriff  | 2600116 |  |
|    |                                     | Swan Neck, 45 ° for Pistol Grip Handle   |         |  |
| 2  |                                     | Düsenstock M 8   | 2600408 |  |
|    |                                     | Tip Adapter M 8  |         |  |
|    |                                     | Düsenstock M 10  | 2600410 |  |
|    |                                     | Tip Adapter M10  |         |  |
| 3  | Kontaktdüsen<br>Contact Tips        | M 8 x 30, ø in mm / ECU  | 24106xx |  |
|    |                                     | M 8 x 30, ø in mm / CuCrZr   | 24176xx |  |
|    |                                     | M 8 x 30, ø in mm / für / for Alu  | 24166xx |  |
|    |                                     | M 10 x 35, ø in mm / CuCrZr  | 26076xx |  |
|    |                                     | Stromdüsen erhältlich in ø 0.8 / 1.0 / 1.2 / 1.6 / 2.4 mm  |         |  |
|    |                                     | Bitte bei xx Drahtdurchmesser angeben. Beispiel:<br>ø 1,2 mm ist: 12; Art.-Nr.: = 2410612<br>Tips available in 0.30° / 0.35 / 0.39° / 0.45° / 0.52 / 1/16° / 3/32°<br>Please insert wire diameter at xx. Example:<br>ø 0.45° = 1.2 mm is 12; Art.-No.: = 2410612 |         |  |
| 4  | Gasdüsen<br>Gas Nozzles             | Gasdüse, zylindrisch   | 2600801 |  |
|    |                                     | Gas Nozzle, cylindrical  |         |  |
|    |                                     | Gasdüse, konisch   | 2600802 |  |
|    |                                     | Gas Nozzle, conical  |         |  |
|    |                                     | Punktgasdüse   | 2600805 |  |
|    |                                     | Spot Welding Nozzle  |         |  |
| 5  |                                     | Gasverteiler   | 2600700 |  |
|    |                                     | Gas Diffuser   |         |  |
| 20 |                                     | Handgriff AR 3 schwarz, kpl.   | 2401000 |  |
|    |                                     | Handle AR 3 black, cpl.  |         |  |
| 21 |                                     | Schraube   | 0042001 |  |
|    |                                     | Screw  |         |  |
| 22 |                                     | Einsatzbuchse  | 0041012 |  |
|    |                                     | Handle Nut   |         |  |
| 23 |                                     | Knickschutz  | 2401200 |  |
|    |                                     | Cable Support  |         |  |
| 40 |                                     | Knickschutz 2-teilig   | 2251601 |  |
|    |                                     | Gun Plug Housing   |         |  |
| 41 |                                     | Schraube   | 0040601 |  |
|    |                                     | Screw  |         |  |
| 42 |                                     | Knickschutzfeder   | 2401201 |  |
|    |                                     | Cable Support Spring   |         |  |
| 43 |                                     | Anschlußmutter   | 2151700 |  |
|    |                                     | Plug Nut   |         |  |

|    |  |         |
|----|--|---------|
| 44 | Ms-Überwurfmutter<br>Liner Positioner Nut  | 2151501 |
| 45 | ZA-Stecker Luft M 14 x 1 mit Federpins<br>Gun Plug Body M 14 x 1 with Spring Loaded Pins | 2401505 |
| 46 | Rundsteckbuchse, isoliert<br>Female Electrical Connector, insulated                      | 2155100 |
| 47 | O - Ring<br>O - Ring   | 0041000 |

|    |   |                          |         |
|----|---|--------------------------|---------|
| 50 | Koaxialkabel<br>Coaxial Cable                                 | 65 mm <sup>2</sup> , 3 m | 3006530 |
|    |   | 65 mm <sup>2</sup> , 4 m | 3006540 |
|    |   | 65 mm <sup>2</sup> , 5 m | 3006550 |
| 51 | Flachhülse isoliert<br>Female Electrical Connector, insulated | 2155302                  |         |
| 52 | Rundstecker, isoliert<br>Male Electrical Connector, insulated | 2155200                  |         |

|    |   |         |
|----|---|---------|
| 55 | DF-Spiralen ummantelt und Teflonseelen<br>Coated Steel- and Teflon-Liners |         |
|    | DF-Spirale 2,0 x 4,0 mm / 3 m Steel Liner 3 m                             | 3442030 |
|    | DF-Spirale 2,0 x 4,0 mm / 4 m Steel Liner 4 m                             | 3442040 |
|    | DF-Spirale 2,0 x 4,0 mm / 5 m Steel Liner 5 m                             | 3442050 |
|    | Teflonseele 2,0 x 4,0 mm / 3 m Teflon Liner 3 m                           | 3412030 |
|    | Teflonseele 2,0 x 4,0 mm / 4 m Teflon Liner 4 m                           | 3412040 |
|    | Teflonseele 2,0 x 4,0 mm / 5 m Teflon Liner 5 m                           | 3412050 |
|    | DF-Spirale 2,5 x 4,0 mm / 3 m Steel Liner 3 m                             | 3442530 |
|    | DF-Spirale 2,5 x 4,0 mm / 4 m Steel Liner 4 m                             | 3442540 |
|    | DF-Spirale 2,5 x 4,0 mm / 5 m Steel Liner 5 m                             | 3442550 |
|    | Teflonseele 2,7 x 4,7 mm / 3 m Teflon Liner 3 m                           | 3472730 |
|    | Teflonseele 2,7 x 4,7 mm / 4 m Teflon Liner 4 m                           | 3472740 |
|    | Teflonseele 2,7 x 4,7 mm / 5 m Teflon Liner 5 m                           | 3472750 |
|    | DF-Spirale 3,5 x 4,9 mm / 3 m Steel Liner 3 m                             | 3493530 |
|    | DF-Spirale 3,5 x 4,9 mm / 4 m Steel Liner 4 m                             | 3493540 |
|    | DF-Spirale 3,5 x 4,9 mm / 5 m Steel Liner 5 m                             | 3493550 |
| 56 | Haltenippel für Spirale 4,9<br>Collet for Liner 4.9                       | 2605649 |
|    | Haltenippel für Teflonseele 4,0<br>Collet for Teflon Liner 4.0            | 2155740 |
|    | Haltenippel für Teflonseele 4,7<br>Collet for Teflon Liner 4.7            | 2415747 |
| 57 | O - Ring<br>O - Ring  | 0031500 |

