

## Handschweißbrenner Welding Torch



### Technische Daten: ARS 300 G

Belastung: 340 A CO<sub>2</sub> (nach EN 60 974-7)  
220 A ArCO<sub>2</sub> / M21  
Einschaltdauer: @ 60%  
Draht-ø: 0,8 - 1,6 mm

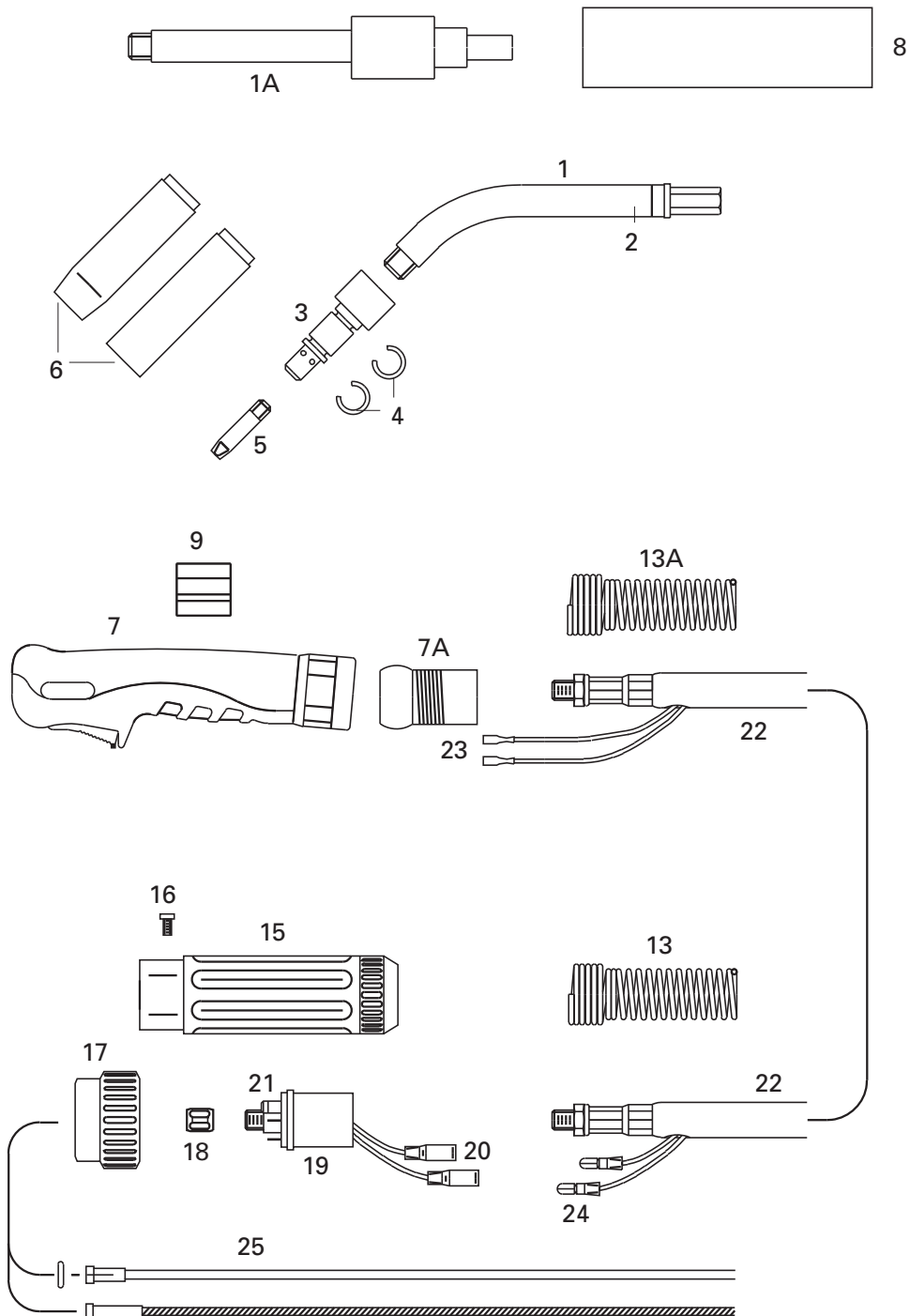
Artikel Nr. / Einzelheiten	3 m	4 m	5 m
Euro-Anschluss	ARS301030	ARS401030	ARS501030
Euro-Anschluss mit Federpins	ARS301031	ARS401031	ARS501031
Aut 180° - 22° - 45° - 60°	ARS301130	ARS401130	ARS501130

### Technical Data: ARS 300 G

Rating: 340 A CO<sub>2</sub> (accor. to EN 60 974-7)  
220 A ArCO<sub>2</sub> / M21  
Duty Cycle: @ 60%  
Wire Diameter: 0.8 - 1.6 mm

Part Number / Details	3 m	4 m	5 m
Euro	ARS301030	ARS401030	ARS501030
Euro / Spring Pins	ARS301031	ARS401031	ARS501031
Automatic 180° - 22° - 45° - 60°	ARS301130	ARS401130	ARS501130

# Handschweißbrenner Welding Torch



1	<b>Brennerbauteile</b> Torch Components	Brennerkörper ARS 300 Swan Neck ARS 300 G	ARS010030
1A		Brennerkörper ARS 300 AUT 180° Swan Neck ARS 300 G / AUTOM. 180°	ARS011130
		Brennerkörper ARS 300 AUT 22° Swan Neck ARS 300 G / AUTOM. 22°	ARS011230
		Brennerkörper ARS 300 AUT 45° Swan Neck ARS 300 G / AUTOM. 45°	ARS011330
		Brennerkörper ARS 300 AUT 60° Swan Neck ARS 300 G / AUTOM. 60°	ARS011430
2		Isolierschlauch für Brennerhals ARS 300 G Insulating Hose ARS 300 G	ARS550033
3		Düsenstock ARS 300 G mit Federringen Tip Adapter ARS 300 G with Rings	ARS040030
4		Federring für Düsenstock ARS 300 G Metal Ring	ARS100206
5	<b>Kontaktdüsen</b> Contact Tips	Kontaktdüse 0,8 mm ARS 300 G Contact Tip D. 0.8 - ARS 300/400/350/510	ARS061008
		Kontaktdüse 1,0 mm ARS 300 G Contact Tip D. 1.0 - ARS 300/400/350/510	ARS061010
		Kontaktdüse 1,2 mm ARS 300 G Contact Tip D. 1.2 - ARS 300/400/350/510	ARS061012
		Kontaktdüse 1,6 mm ARS 300 G Contact Tip D. 1.6 - ARS 300/400/350/510	ARS061016
		Kontaktdüse Alu 0,8 mm ARS 300 G Contact Tip D. 0.8 AL - ARS 300/400/350/510	ARS661008
		Kontaktdüse Alu 1,0 mm ARS 300 G Contact Tip D. 1.0 AL - ARS 300/400/350/510	ARS661010
		Kontaktdüse Alu 1,2 mm ARS 300 G Contact Tip D. 1.2 AL - ARS 300/400/350/510	ARS661012
		Kontaktdüse Alu 1,6 mm ARS 300 G Contact Tip D. 1.6 AL - ARS 300/400/350/510	ARS661016
		Kontaktdüse CuCrZr 0,8 mm ARS 300 G Contact Tip D. 0.8 Special - ARS 300/400/350/510	ARS761008
		Kontaktdüse CuCrZr 1,0 mm ARS 300 G Contact Tip D. 1.0 Special - ARS 300/400/350/510	ARS761010
		Kontaktdüse CuCrZr 1,2 mm ARS 300 G Contact Tip D. 1.2 Special - ARS 300/400/350/510	ARS761012
		Kontaktdüse CuCrZr 1,6 mm ARS 300 G Contact Tip D. 1.6 Special - ARS 300/400/350/510	ARS761016
6	<b>Gasdüsen</b> Gas Nozzles	Gasdüse zylindrisch ARS 300 G Gas Nozzle cylindrical - ARS 300/350	ARS080001
		Gasdüse konisch ARS 300 G Gas Nozzle conical - ARS 300/350	ARS081002
7		ERGO-Griff kpl. mit Druckschalter ERGO-Handle cpl.	ARS111155
7A		Knickschutz-Kugelgelenk Swivel	ARS111175

8	Griffrohr AUT Handle Tube	ARS029006
9	Anschlußkörper Connection Body	ARS150300
13	Knickschutzfeder Cable Support Spring	ARS151201
13A	Knickschutzfeder griffseitig Gas Cable Support Spring Ergo Gas	ARS111191
15	Knickschutz zweiteilig Gun Plug Housing	ARS251601
16	Schraube Screw M 4 x 6	ARS040601
17	Anschlussmutter Plug Nut	ARS151700
18	Ms-Überwurfmutter Liner Positioner Nut	ARS151501
19	ZA-Stecker, Luft Gun Plug Body, air cooled (Euro)	ARS151500
	ZA-Stecker, Luft mit Federpins Gun Plug Body with Spring Loaded Pins	ARS151505
20	Rundsteckbuchse, isoliert Female Electrical Connector, insulated	ARS155100
21	O-Ring 4 x 1 O-Ring 4 x 1	ARS041000
22	Koaxialkabel 35 mm <sup>2</sup> / 3 m Coaxial Cable 35 mm <sup>2</sup> / 3 m	ARS003530
	Koaxialkabel 35 mm <sup>2</sup> / 4 m Coaxial Cable 35 mm <sup>2</sup> / 4 m	ARS003540
	Koaxialkabel 35 mm <sup>2</sup> / 5 m Coaxial Cable 35 mm <sup>2</sup> / 5 m	ARS003550
23	Flachhülse 2,8 x 0,8 blank Female Electrical Connector	ARS415304
24	Rundstecker, isoliert Male Electrical Connector, insulated	ARS155200
25	DF-Spiralen ummantelt Coated Steel Liners	
	DF-Spirale 1,5 x 4,0 mm / 3 m Coated Steel Liner 1.5 x 4.0 mm / 3 m	ARS441530
	DF-Spirale 1,5 x 4,0 mm / 4 m Coated Steel Liner 1.5 x 4.0 mm / 4 m	ARS441540
	DF-Spirale 1,5 x 4,0 mm / 5 m Coated Steel Liner 1.5 x 4.0 mm / 5 m	ARS441550
	DF-Spirale 2,0 x 4,0 mm / 3 m Coated Steel Liner 2.0 x 4.0 mm / 3 m	ARS442030
	DF-Spirale 2,0 x 4,0 mm / 4 m Coated Steel Liner 2.0 x 4.0 mm / 4 m	ARS442040
	DF-Spirale 2,0 x 4,0 mm / 5 m Coated Steel Liner 2.0 x 4.0 mm / 5 m	ARS442050

